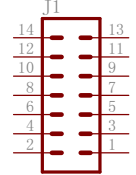
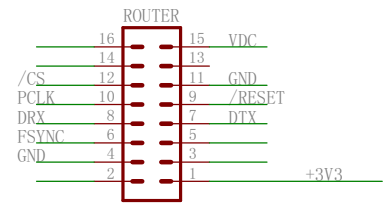
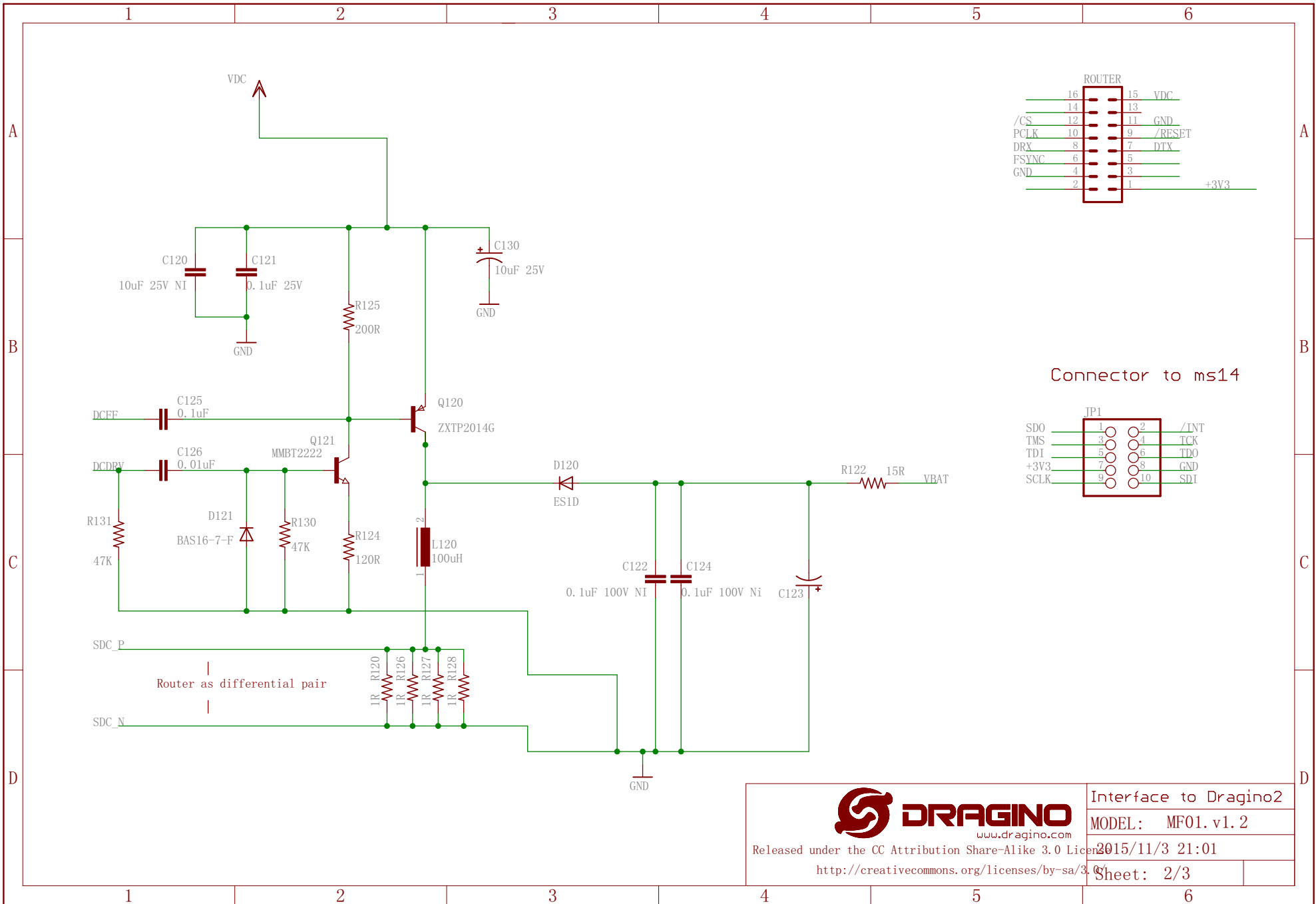


Sensor Interface
 MODEL: MF01.v1.2
 Released under the CC Attribution Share-Alike 3.0 License
 2015/11/3 21:01
 Sheet: 1/3

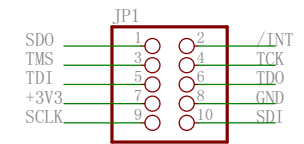
Released under the CC Attribution Share-Alike 3.0 License
<http://creativecommons.org/licenses/by-sa/3.0/>



*1 Place near 3217x pin



Connector to ms14





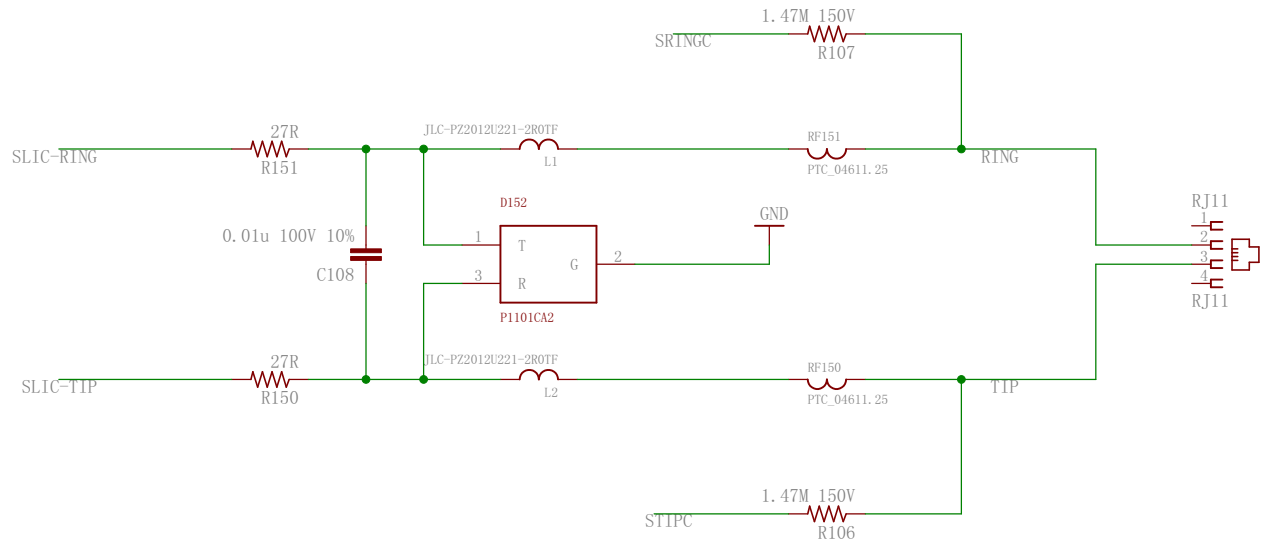
Interface to Dragino2

MODEL: MF01. v1.2

Released under the CC Attribution Share-Alike 3.0 License 2015/11/3 21:01

http://creativecommons.org/licenses/by-sa/3.0/

Sheet: 2/3



Wireless Breadboard

MODEL: MF01.v1.2

Released under the CC Attribution Share-Alike 3.0 License
<http://creativecommons.org/licenses/by-sa/3.0/>

2015/11/3 21:01

Sheet: 3/3