

ISDN Subscriber Access Controller for U_{PN}-Interface Terminals PSB 2196

The PSB 2196, ISDN Subscriber Access Controller for U_{PN}-interface ISAC-P TE, implements the subscriber access functions for a digital terminal to be connected to a two-wire U_{PN}-interface. The PSB 2196 ISAC-P TE combines the functions of the U_{PN}-transceiver (one channel of the OCTAT-P PEB 2096) and the ISDN-Communications Controller (ICC, PEB 2070) onto one chip. The ISAC-P TE interfaces to voice/data devices via the IOM[®]-2 interface. The terminal repeater function of the ISAC-P TE allows to cascade two telephones which are controlled by one U_{PN}-interface from the line card.

1. Potential application

- All kind of PBX Telephones
- Terminal Repeater Modules
- PC-Cards, Videophones, and Video
- Conferencing Systems with proprietary U_{PN}-interface
- Terminal Adaptor with proprietary U_{PN}-interface
- a/b-Adapter with proprietary U_{PN}-interface

Customers

- PBX Telephone Manufacturers of:
- Key Systems
 - Small PBX Systems
 - Mid Range PBX Systems
 - Large PBX Systems

2. Features:

- Cost/performance-optimized U_{PN}-interface transceiver, compatible to PEB 2096 OCTAT-P
- HDLC-controller with 2x32-byte FIFO per direction
- HDLC-address recognition and control field handling compatible to PEB 2070
- IOM-2 interface for terminal application compatible to PEB 2070 ICC
- 8-bit multiplexed microprocessor interface
- 4-wire serial programming interface
- CPU-clock and reset outputs
- Test loops

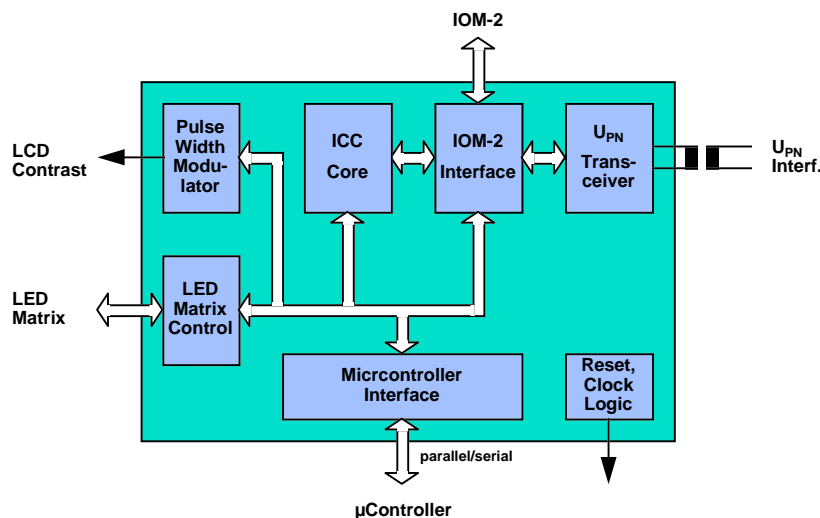
3. Packing

| Type | Ordering Code | Package |
|----------------|------------------------------|-----------|
| PSB 2196H V1.4 | Q67101-H6570 (pref. package) | P-MQFP-44 |
| PSB 2196N V1.4 | Q67100-H6569 | P-LCC-44 |

4. Product status

| Product | Step | Status | Changes |
|--------------|-------|------------------------|---------|
| PSB 2196 N/H | V 1.4 | Prod. Delivery Release | |

5. Diagram



6. Documentation (Please contact our sales office for details)

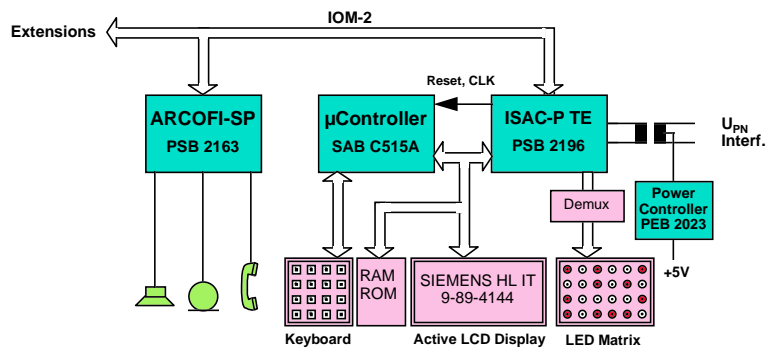
| | <u>Date of issue/version</u> | <u>Type of material</u> |
|--|------------------------------|-------------------------------|
| User's Manual | 12/94 | Booklet (B115-H6759-X-X-7600) |
| • App. Note: Migration from PEB 20950 ISAC-P to PSB 2196 ISAC-P TE | 12/93 | Copy |
| App. Note: Extending the Upn Interface Loop Length using ISAC-PTE or SmartLink | 6/96 | Copy |
| Errata Sheet V1.1, V1.2, V1.3 | 6/94 | T2196-XV15-L1-7600 |

7. Development and support tools

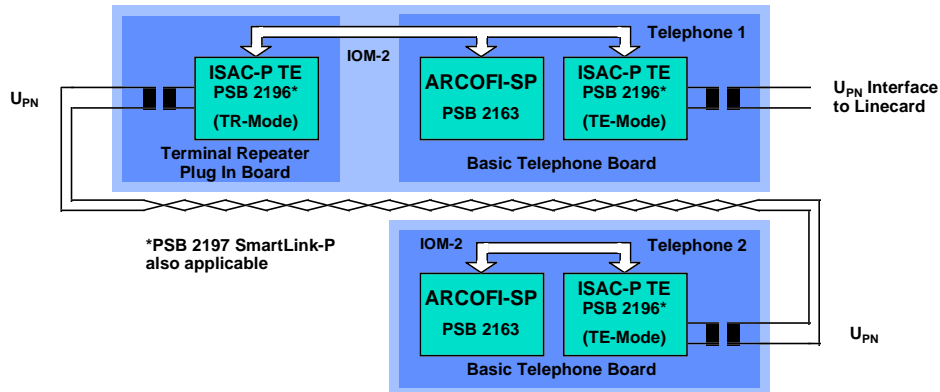
| | <u>Availability</u> | <u>Ordering number</u> |
|------------------------------|---------------------|------------------------|
| SIPB5104 ISAC-P TE/TR Module | available | Q67100-H6426 |
| SIPB5000 Mainboard | available | Q67100-H8647 |

8. Applications

• **PBX Feature Phone**



• **Terminal Repeater Module**



• **PBX-PC Card**

