

General Description

The PEB 2085/86 ISAC-S implements the four-wire S₀ interface used to link voice/data terminals to an ISDN. The component switches B- and D-channels between the S₀ and the ISDN Oriented Modular (IOM) interfaces, the latter being a standard backplane interface for the ISDN basic access. The HDLC packets of the ISDN D-channel are handled by the ISAC-S which interfaces them to the associated microcontroller.

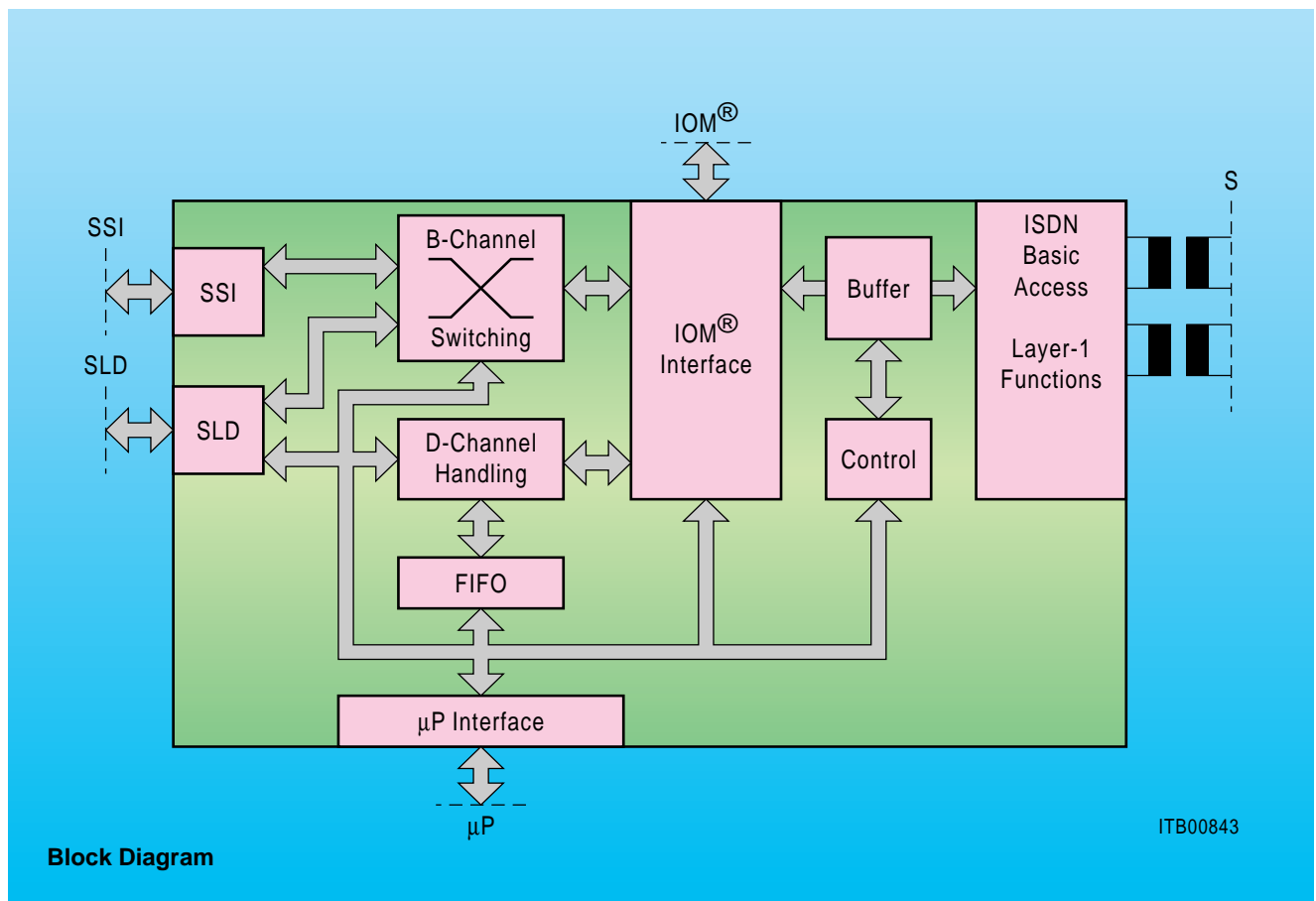
Applications

- Voice/Data Terminals
- ISDN PC Cards/Terminal Adapters
- Videophone
- Video PC Cards/Conferencing Systems
- G4 FAX
- Tele Control Systems
- Point-of-Sales Terminal

Type	Package
PEB 2085-N	P-LCC-44-1 (SMD)
PEB 2085-P	P-DIP-40-2
PEB 2086-H	P-MQFP-64-1 (SMD)
PEB 2086-N	P-LCC-44-1 (SMD)

Features

- Full duplex 2B+D S₀ interface transceiver according to CCITT I.430
- Conversion of the frame structure between the S/T interface and IOM
- Receive timing recovery according to selected operating mode
- D-channel access control; support of LAPD protocol
- FIFO-buffer (2 × 64 bytes) for efficient transfer of D-channel packets
- 8-bit microprocessor interface, multiplexed or non-multiplexed
- Serial interface: IOM-1, SLD, SSI, IOM-2
- Implementation of IOM-1/IOM-2-MONITOR and C/I-channel protocol to control peripheral devices
- Watchdog timer



Block Diagram

ITB00843