

HFC - S mini ISDN 2BDS0

ISDN HDLC FIFO controller with S/T interface and integrated FIFOs

August 2001

Copyright 1994-2001 Cologne Chip AG
All Rights Reserved

The information presented can not be considered as assured characteristics. Data can change without notice. Parts of the information presented may be protected by patent or other rights. Cologne Chip products are not designed, intended, or authorized for use in any application intended to support or sustain life, or for any other application in which the failure of the Cologne Chip product could create a situation where personal injury or death may occur.

Revision History

Date	Remarks
Aug. 2001	Chapters added: Timing diagrams for Motorola mode (mode2), Sample circuitries.
Jul. 2001	Information added to: Register description.
Jan. 2001	Information added to: Microprocessor access, PCM/GCI/IOM2 timing.
Nov. 2000	preliminary edition.



Cologne Chip AG
Eintrachtstrasse 113
D-50668 Köln
Germany

Tel.: +49 (0) 221 / 91 24-0
Fax: +49 (0) 221 / 91 24-100
<http://www.CologneChip.com>
<http://www.CologneChip.de>
info@CologneChip.com

Contents

Features.....	6
1 General description.....	6
1.1 Block diagram.....	7
1.2 Applications.....	7
1.3 Processor interface modes.....	8
2 Pin description.....	9
2.1 S/T interface transmit signals.....	9
2.2 S/T interface receive signals.....	9
2.3 PCM bus interface signals.....	10
2.4 Processor interface signals.....	10
2.5 Miscellaneous pins.....	11
2.6 Oscillator.....	11
2.7 Power supply.....	11
3 Functional description.....	12
3.1 Microprocessor interface.....	12
3.1.1 Register access.....	12
3.2 FIFOs.....	13
3.2.1 FIFO channel operation.....	14
3.2.1.1 Send channels (B1, B2, D and PCM transmit).....	15
3.2.1.2 Automatically D-channel frame repetition.....	15
3.2.1.3 FIFO full condition in send channels.....	16
3.2.1.4 Receive Channels (B1, B2, D and PCM receive).....	16
3.2.1.5 FIFO full condition in receive channels.....	17
3.2.2 FIFO initialization.....	18
3.2.3 FIFO reset.....	18
3.3 Transparent mode of HFC-S mini.....	19
3.4 Correspondency between FIFOs, CHANNELs and SLOTS.....	20
3.5 Subchannel Processing.....	25
3.6 PCM Interface Function.....	26
3.7 Configuring test loops.....	28
4 Register description.....	29
4.1 Register reference list.....	29
4.1.1 Registers by address.....	29
4.1.2 Registers by name.....	30
4.2 FIFO, interrupt, status and control registers.....	31
4.3 PCM/GCI/IOM2 bus section registers.....	39
4.4 S/T section registers.....	43
5 Electrical characteristics.....	47
6 Timing characteristics.....	50
6.1 Microprocessor access.....	50
6.1.1 Register read access in de-multiplexed Motorola mode (mode 2).....	50
6.1.2 Register write access in de-multiplexed Motorola mode (mode 2).....	51
6.1.3 Register read access in de-multiplexed Intel mode (mode 3).....	52
6.1.4 Register write access in de-multiplexed Intel mode (mode 3).....	53

6.1.5	Register read access in multiplexed mode (mode 4).....	54
6.1.6	Register write access in multiplexed mode (mode 4)	55
6.2	PCM/GCI/IOM2 timing.....	56
6.2.1	Master mode.....	57
6.2.2	Slave mode	58
7	External circuitries.....	59
7.1	S/T interface circuitry	59
7.1.1	External receiver circuitry.....	59
7.1.2	External wake-up circuitry	60
7.1.3	External transmitter circuitry	61
7.2	Oscillator circuitry for S/T clock.....	64
8	State matrices for NT and TE	65
8.1	S/T interface activation/deactivation layer 1 for finite state matrix for NT	65
8.2	Activation/deactivation layer 1 for finite state matrix for TE	66
9	Binary organisation of the frames	67
9.1	S/T frame structure	67
9.2	GCI frame structure	68
10	Clock synchronisation.....	69
10.1	Clock synchronisation in NT-mode.....	69
10.2	Clock synchronisation in TE-mode	70
10.3	Multiple HFC-S mini SYNC scheme	71
11	HFC-S mini package dimensions.....	72
12	Sample circuitries.....	73
12.1	HFC-S mini in mode 2 (Motorola bus)	73
12.2	HFC-S mini in mode 3 (Intel bus with separated address bus/data bus).....	75
12.3	HFC-S mini in mode 4 (Intel bus with multiplexed address bus/data bus).....	77

Figures

Figure 1: HFC-S mini block diagram.....	7
Figure 2: Pin Connection	9
Figure 3: FIFO Organisation.....	14
Figure 4: FIFO Data Organisation	16
Figure 5: FIFOs, CHANNELs and SLOTS in Transmit Direction	22
Figure 6: FIFOs, CHANNELs and SLOTS in Receive Direction.....	23
Figure 7: Example for Subchannel Processing	25
Figure 8: PCM Interface Function Block Diagram.....	26
Figure 9: Function of CON_HDLC register bits 7..5	37
Figure 10: External receiver circuitry	59
Figure 11: External wake-up circuitry	60
Figure 12: External transmitter circuitry	61
Figure 13: Oscillator circuitry for S/T clock	64
Figure 14: Frame structure at reference point S and T	67
Figure 15: Single channel GCI format.....	68
Figure 16: Clock synchronisation in NT-mode	69
Figure 17: Clock synchronisation in TE-mode	70
Figure 18: Multiple HFC-S mini SYNC scheme	71
Figure 19: HFC-S mini package dimensions	72

Tables

Table 1: Function of the microprocessor interface control signals	12
Table 2: Possible connections of FIFOs and CHANNELs in Simple Mode (SM).....	20
Table 3: CHANNEL Numbers on the S/T Interface and PCM Interface	21
Table 4: S/T module part numbers and manufacturers.....	63
Table 5: Activation/deactivation layer 1 for finite state matrix for NT	65
Table 6: Activation/deactivation layer 1 for finite state matrix for TE.....	66

Timing diagrams

Timing diagram 1: Register read access in de-multiplexed Motorola mode (mode 2)	50
Timing diagram 2: Register write access in de-multiplexed Motorola mode (mode 2)	51
Timing diagram 3: Register read access in de-multiplexed Intel mode (mode 3)	52
Timing diagram 4: Register write access in de-multiplexed Intel mode (mode 3).....	53
Timing diagram 5: Register read access in multiplexed mode (mode 4)	54
Timing diagram 6: Register write access in multiplexed mode (mode 4)	55
Timing diagram 7: PCM/GCI/IOM2 timing	56

Features

- single chip ISDN-S/T-controller with B- and D-channel HDLC support
- integrated S/T interface
- full I.430 ITU S/T ISDN support in TE and NT mode for 3.3V and 5V power supply
- independent read and write HDLC-channels for 2 ISDN B-channels, one ISDN D-channel and one PCM timeslot (or E-channel)
- B1- and B2-channel transparent mode independently selectable
- integrated FIFOs for B1, B2, D and PCM (or E)
- FIFO size: 128 bytes per channel and direction; up to 7 HDLC frames per FIFO
- 56 kbit/s restricted mode for U.S. ISDN lines selectable by software
- PCM128 / PCM64 / PCM30 interface configurable to interface MITEL ST™ bus (MVIP™), Siemens IOM2™ or GCI™ for interface to U-chip or external CODECs
- H.100 data rate supported
- microprocessor interface compatible to Motorola bus and Intel bus
- Timer with interrupt capability
- CMOS technology, 3V - 5V
- PQFP 48 case

1 General description

The HFC-S mini is a single-chip ISDN S/T HDLC basic rate controller for embedded applications.

The S/T interface, HDLC-controllers, FIFOs and a microprocessor interface are integrated in the HFC-S mini. A PCM128 / PCM64 / PCM30 interface is also implemented which can be connected to many telecom serial busses. CODECs are usually connected to this interface. All ISDN channels (2B+1D) and the PCM interface are served fully duplex by the 8 integrated FIFOs.

HDLC controllers are implemented in hardware so there is no need to implement HDLC on the host processor.

1.1 Block diagram

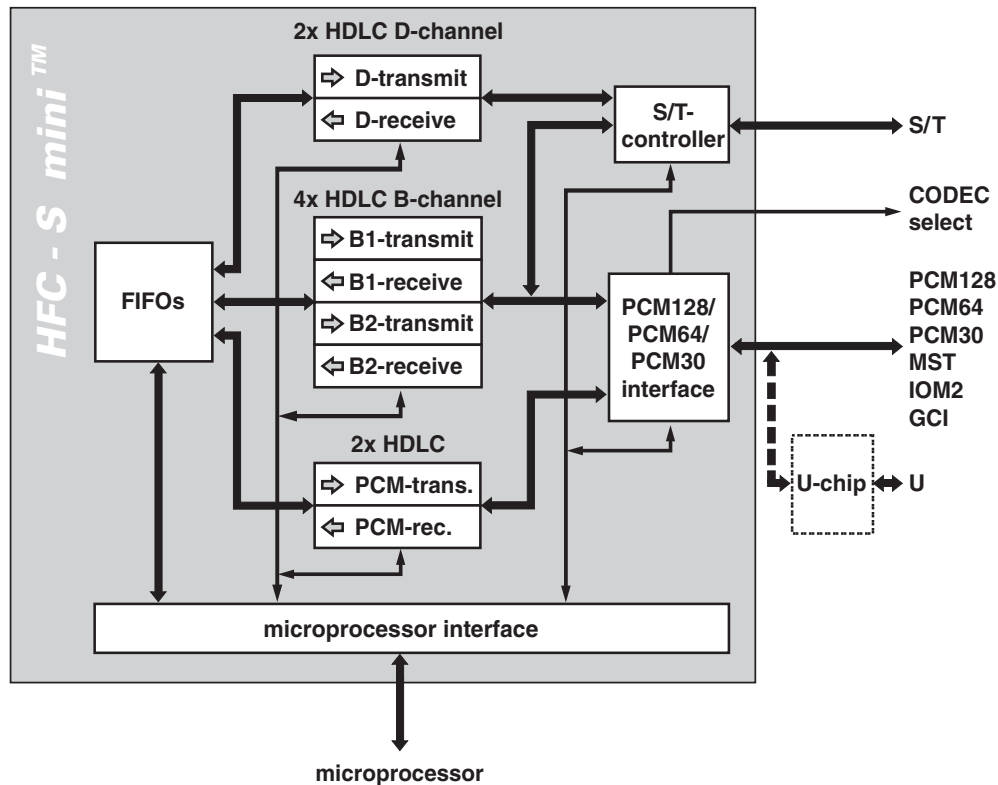


Figure 1: HFC-S mini block diagram

1.2 Applications

The HFC-S mini can be used for all kinds of ISDN equipment with ISDN basic rate S/T interface.

- ISDN terminal adapters (for Internet access)
- ISDN terminal adapters (with POTS interfaces)
- ISDN PABX
- ISDN SoHo PABX (switching done by HFC-S mini)
- ISDN telephones
- ISDN video conferencing equipment
- ISDN dialers / LCR (Least Cost Routers)
- ISDN LAN Routers
- ISDN protocol analyzers
- ISDN smart NTs

1.3 Processor interface modes

The HFC-S mini has an integrated 8-bit microprocessor interface which can be configured into Motorola bus, de-multiplexed Intel bus and multiplexed Intel bus. The different interface modes are selected during power on by ALE.

- Mode 2: Motorola bus with control signals /CS, R/W, /DS is selected by setting ALE to VDD.
- Mode 3: Intel bus with separated address bus (A0) and data bus (D[7:0]) and control signals /CS, /WR, /RD is selected by setting ALE to GND.
- Mode 4: Intel bus with multiplexed address bus and data bus with control signals /CS, /WR, /RD, ALE. ALE must be '0' during power on to select this mode. A0 must be '0'. ALE latches the address. The multiplexed address/data bus is D[7:0].

In mode 4 all internal registers can be directly accessed. In mode 2 and mode 3 first the address of the desired register must be written to the address with A0 = '1'. Afterwards data can be read/written from/to that register by reading/writing the address with A0 = '0'.

In mode 4 A0 must be '0'.

2 Pin description

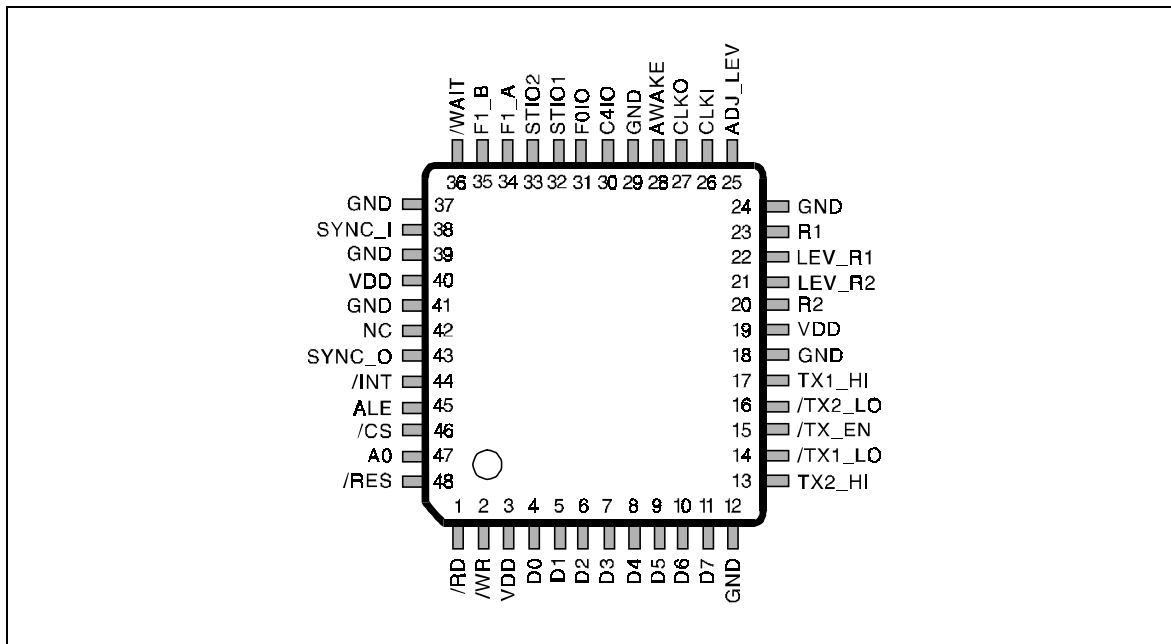


Figure 2: Pin Connection

2.1 S/T interface transmit signals

Pin No.	Pin Name	Input Output	Function
13	TX2_HI	O	Transmit output 2
14	/TX1_LO	O	GND driver for transmitter 1
15	/TX_EN	O	Transmit enable
16	/TX2_LO	O	GND driver for transmitter 2
17	TX1_HI	O	Transmit output 1

2.2 S/T interface receive signals

20	R2	I	Receive data 2
21	LEV_R2	I	Level detect for R2
22	LEV_R1	I	Level detect for R1
23	R1	I	Receive data 1
25	ADJ_LEV	O	Level generator
28	AWAKE	I	Awake input pin for external awake circuitry

2.3 PCM bus interface signals

30	C4IO	I/O ^{u)}	4.096 MHz / 8.192 MHz / 16.384 MHz clock PCM/GCI/IOM2 bus clock master: output PCM/GCI/IOM2 bus clock slave: input (reset default)
31	F0IO	I/O ^{u)}	Frame synchronisation, 8kHz pulse for PCM/GCI/IOM2 bus frame synchronisation PCM/GCI/IOM2 bus master: output PCM/GCI/IOM2 bus slave: input (reset default)
32	STIO1	I/O ^{u)}	PCM/GCI/IOM2 bus data line I Slotwise programmable as input or output
33	STIO2	I/O ^{u)}	PCM/GCI/IOM2 bus data line II Slotwise programmable as input or output
34	F1_A	O	enable signal for external CODEC A or C2IO clock (bit clock) Programmable as positive (reset default) or negative pulse.
35	F1_B	O	enable signal for external CODEC B Programmable as positive (reset default) or negative pulse.

^{u)} internal pull up

2.4 Processor interface signals

Pin No.	Pin Name	<u>I</u> <u>O</u> <u>Output</u>	Mode	Function
4	D0	I/O	all	Data bus (bit 0)
5	D1	I/O	all	Data bus (bit 1)
6	D2	I/O	all	Data bus (bit 2)
7	D3	I/O	all	Data bus (bit 3)
8	D4	I/O	all	Data bus (bit 4)
9	D5	I/O	all	Data bus (bit 5)
10	D6	I/O	all	Data bus (bit 6)
11	D7	I/O	all	Data bus (bit 7)
47	A0	I	2, 3	Address bit 0 from external processor
2	/WR	I	3, 4	Write signal from external processor (low active)
	R/W	I	2	Read/Write select (WR='0')
1	/RD	I	3, 4	Read signal from external processor (low active)
	/DS	I	2	I/O data strobe
46	/CS	I ^{u)}	all	Chip select (low active)
45	ALE	I ^{u)}		Address latch enable ALE is also used for mode selection during power on (see also 1.3 Processor interface mode on page 8).
36	/WAIT	O ^{e)}	all	Wait signal for external processor (low active)

^{u)} internal pull up

^{e)} external pull up required

2.5 Miscellaneous pins

Pin No.	Pin Name	<u>I</u> <u>O</u> <u>Output</u>	Function
38	SYNC_I	I	8 kHz sync input
43	SYNC_O	O	8 kHz sync output
42	NC		Not connected (pin must be left open)
44	/INT	O	Interrupt request for external processor (low active)
48	/RES	I ^{u)}	Reset (low active)

^{u)} internal pull up

2.6 Oscillator

Pin No.	Pin Name	<u>I</u> <u>O</u> <u>Output</u>	Function
26	CLKI	I	24.576 MHz clock input or 24.576 MHz crystal
27	CLKO	O	24.576 MHz clock output or 24.576 MHz crystal

2.7 Power supply

Pin No.	Pin Name	Function
3, 19, 40	VDD	VDD (3.3V or 5V)
12, 18, 24, 29, 37, 39, 41	GND	GND

3 Functional description

3.1 Microprocessor interface

The HFC-S mini has an integrated 8 bit microprocessor interface. It is compatible with Motorola bus and Intel bus. The different microprocessor interface modes are selected during power on by ALE (see also 1.3 Processor interface modes on page 8).

In mode 2 (Motorola bus mode) and mode 3 (de-multiplexed Intel bus mode) pin A0 is the address input. The data bus is D[7:0].

In mode 4 (multiplexed Intel bus mode) D[7:0] is the multiplexed address/data bus. A0 must be '0' in this mode.

3.1.1 Register access

In mode 2 and mode 3 the HFC-S mini has 2 addresses. The lower address (A0 = '0') is used for data read/write. The higher address (A0 = '1') is write only and is used for register selection. Registers are selected by first setting A0 to '1' and then writing the address of the desired register to the data bus D[7:0]. All following accesses to the HFC-S mini with A0 = '0' are read/write operations to this register.

In mode 4 all registers can be directly accessed by their address.

The function of the control signals is shown in the table below.

/RD /DS	/WR R/W	/CS	ALE	Operation	Mode
X	X	1	X	no access	all
1	1	X	X	no access	all
0	1	0	1	read data	2
0	0	0	1	write data	2
0	1	0	0	read data	3
1	0	0	0	write data	3
0	1	0	0 ^{*)}	read data	4
1	0	0	0 ^{*)}	write data	4

Table 1: Function of the microprocessor interface control signals

X = don't care

^{*)} 1-pulse latches register address.

Except in mode 4 ALE is assumed to be stable after RESET.

3.2 FIFOs

There is a transmit and a receive FIFO with HDLC-controller for each of the two B-channels, for the D-channel and for the PCM interface in the HFC-S mini. Each FIFO has 128 bytes length in each direction. Up to 7 frames can be stored in each FIFO.

The HDLC circuits are located on the S/T device side of the HFC-S mini. So always plain data is stored in the FIFOs. Zero insertion and CRC checksum processing for receive and transmit data is done by the HFC-S mini automatically.

A FIFO can be selected for access by writing its number in the FIFO select register (FIFO#).

The FIFOs are ring buffers. To control them there are some counters. Z1 is the FIFO input counter and Z2 is the FIFO output counter.

Each counter points to a byte position in the SRAM. On a FIFO input operation Z1 is incremented. On an output operation Z2 is incremented.

After every pulse on the F0IO signal two HDLC-bytes are written into the S/T interface (FIFOs with even numbers) and two HDLC-bytes are read from the S/T interface (FIFOs with odd numbers). D-channel data is handled in a similar way but only 2 bits are processed.

 **important!**

Instead of the S/T interface also PCM bus is selectable for each B-channel (see CON_HDLC register).

If $Z1 = Z2$ the FIFO is empty.

Additionally there are two counters F1 and F2 for every FIFO channel (3 bits for each channel). They count the HDLC-frames in the FIFOs and form a ring buffer as Z1 and Z2 do, too.

F1 is incremented when a complete frame has been received and stored in the FIFO. F2 is incremented when a complete frame has been read from the FIFO.

If $F1 = F2$ there is no complete frame in the FIFO.

When the RESET line is active or software reset is active Z1, Z2, F1 and F2 are all initialized to all 1s (so Z-counters are initialized to 7Fh and F-counters are initialized to 07h).

The access to a FIFO is selected by writing the FIFO number into the FIFO select register (FIFO#).

👉 important!

FIFO change, FIFO reset and F1/F2 incrementation
 Changing the FIFO, resetting the FIFO or incrementing the frame counters causes a short BUSY period of the HFC-S mini. This means an access to FIFO control registers is NOT allowed until BUSY status is reset (bit 0 of STATUS register). This has a maximum duration of 25 clock cycles (2µs). Status, interrupt and control registers can be read and written at any time.

👉 important!

The counter state 00h of the Z-counters follows counter state 7Fh in the B-, D- and PCM FIFOs.
 The counter state 00h of the F-counters follows counter state 07h in the B-, D- and PCM FIFOs.

3.2.1 FIFO channel operation

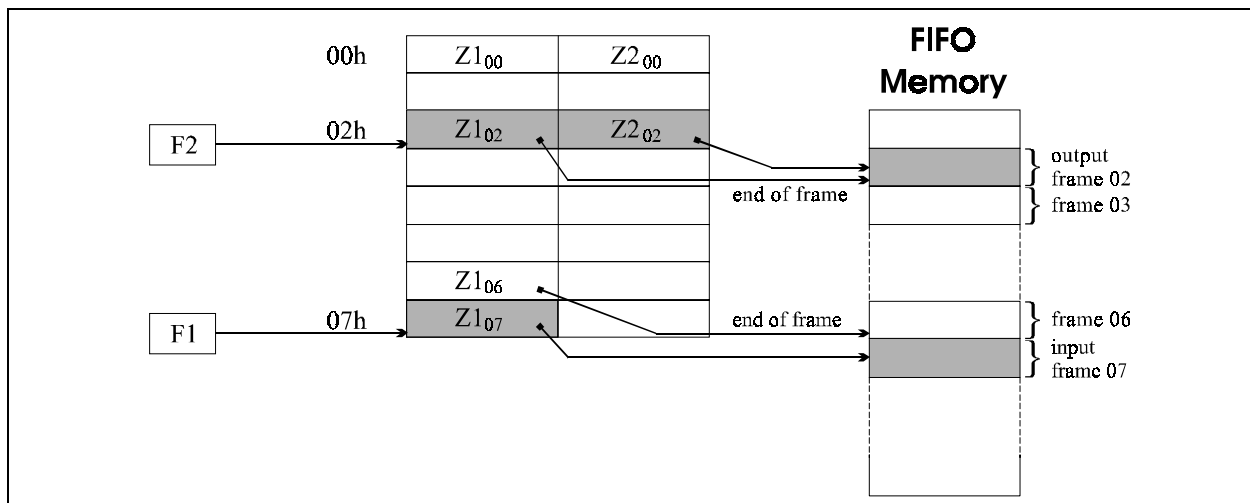


Figure 3: FIFO Organisation

3.2.1.1 Send channels (B1, B2, D and PCM transmit)

The send channels send data from the host bus interface to the FIFO and the HFC-S mini converts the data into HDLC code and transfers it from the FIFO into the S/T or/and the PCM bus interface write registers.

The HFC-S mini checks Z1 and Z2. If $Z1=Z2$ (FIFO empty) the HFC-S mini generates a HDLC-Flag (01111110) or idle pattern (1111 1111) and sends it to the S/T device. In this case Z2 is not incremented. If also $F1=F2$ only HDLC flags are sent to the S/T interface and all counters remain unchanged. If the frame counters are unequal F2 is incremented and the HFC-S mini tries to send the next frame to the output device. After the end of a frame (Z2 reaches Z1) it automatically generates the 16 bit CRC checksum and adds the ending flag. If there is another frame in the FIFO ($F1 \neq F2$) the F2 counter is incremented.

With every byte being sent from the host bus side to the FIFO Z1 is incremented automatically. If a complete frame has been sent F1 must be incremented to send the next frame. If the frame counter F1 is incremented also the Z-counters may change because Z1 and Z2 are functions of F1 and F2. So there are Z1(F1), Z2(F1), Z1(F2) and Z2(F2) (see Figure 3).

Z1(F1) is used for the frame which is just written from the microprocessor bus side. Z2(F2) is used for the frame which is just being transmitted to the S/T device side of the HFC-S mini. Z1(F2) is the end of frame pointer of the current output frame.

In the send channels F1 is only changed from the microprocessor interface side if the software driver wants to say „end of send frame“. Then the current value of Z1 is stored, F1 is incremented and Z1 is used as start address of the next frame. Z1(F2) and Z2(F2) can not be accessed.

👉 important!

The HFC-S mini begins to transmit the bytes from a FIFO at the moment the FIFO is changed or the F1 counter is incremented. Also changing to the FIFO that is already selected starts the transmission. So by selecting the same FIFO again transmission can be started. This is required if a HDLC frame is longer than 128 bytes.

3.2.1.2 Automatically D-channel frame repetition

The D-channel send FIFO has a special feature. If the S/T interface signals a D-channel contention before the CRC is sent the Z2 counter is set to the starting address of the current frame and the HFC-S mini tries to repeat the frame automatically.

3.2.1.3 FIFO full condition in send channels

There are two different FIFO full conditions. The first one is met when the FIFO contents comes up to 7 frames. There is no possibility for the HFC-S mini to manage more frames even if the frames are very small. The driver software must check that there are never more than 7 HDLC frames in a FIFO.

The second limitation is the size of the FIFO (128 bytes each). FIFO full condition can be checked by reading the F_USAGE register. It shows the actually occupied FIFO space in bytes. Furthermore a threshold value can be set for all transmit and receive FIFOs in the F_THRES register. Then the F_FILL register shows an indication for the filling level for each FIFO.

3.2.1.4 Receive Channels (B1, B2, D and PCM receive)

The receive channels receive data from the S/T or PCM bus interface read registers. The data is converted from HDLC into plain data and sent to the FIFO. The data can then be read via the microprocessor bus interface.

The HFC-S mini checks the HDLC data coming in. If it finds a flag or more than 5 consecutive 1s it does not generate any output data. In this case Z1 is not incremented. Proper HDLC data being received is converted by the HFC-S mini into plain data. After the ending flag of a frame the HFC-S mini checks the HDLC CRC checksum. If it is correct one byte with all 0s is inserted behind the CRC data in the FIFO named STAT. This last byte of a frame in the FIFO is different from all 0s if there is no correct CRC field at the end of the frame.

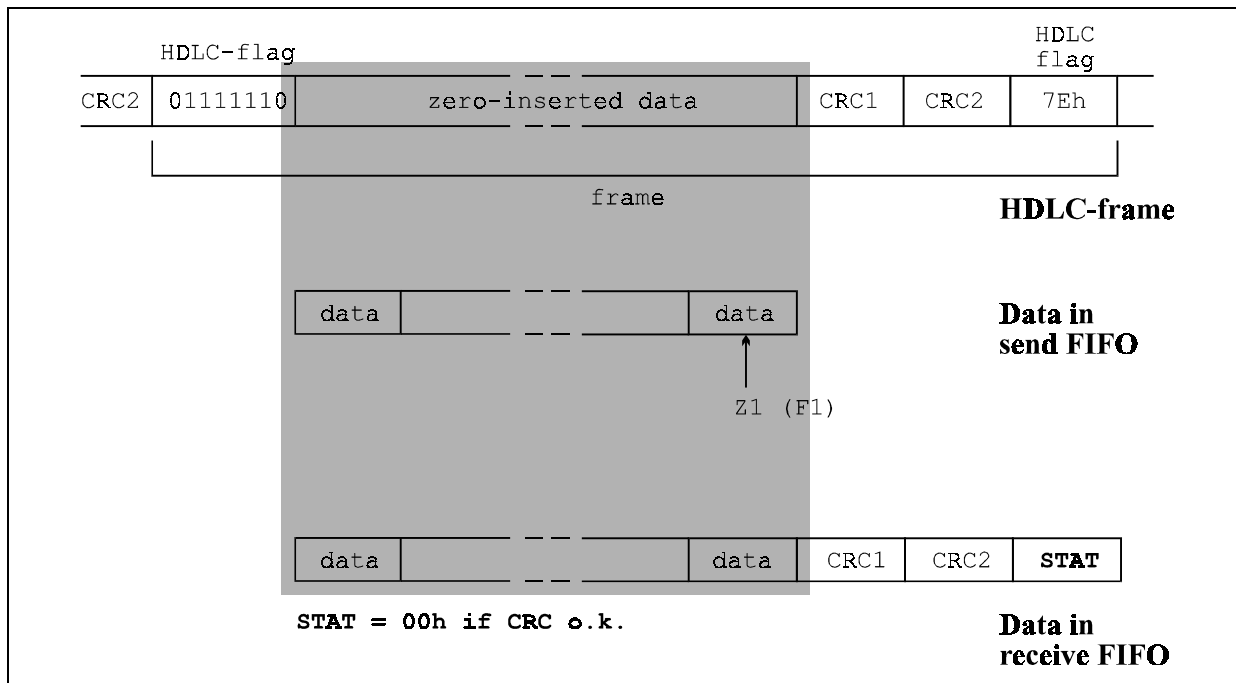


Figure 4: FIFO Data Organisation

The ending flag of a HDLC-frame can also be the starting flag of the next frame.

After a frame is received completely F1 is incremented by the HFC-S mini automatically and the next frame can be received.

After reading a frame via the microprocessor bus interface F2 must be incremented. If the frame counter F2 is incremented also the Z-counters may change because Z1 and Z2 are functions of F1 and F2. So there are Z1(F1), Z2(F1), Z1(F2) and Z2(F2) (see Figure 3).

Z1(F1) is used for the frame which is just received from the S/T device side of the HFC-S mini. Z2(F2) is used for the frame which is just being transmitted to the microprocessor bus interface. Z1(F2) is the end of frame pointer of the current output frame.

To calculate the length of the current receive frame the software has to evaluate $Z1-Z2+1$. When Z2 reaches Z1 the complete frame has been read.

In the receive channels F2 must be incremented from the microprocessor bus interface side after the software detects an end of receive frame ($Z1=Z2$) and $F1 \neq F2$. Then the current value of Z2 is stored, F2 is incremented and Z2 is copied as start address of the next frame. If $Z1 = Z2$ and $F1 = F2$ the FIFO is totally empty. Z1(F1) can not be accessed.

👉 important!

Before reading a FIFO a change FIFO operation (see also: FIFO# register) must be done even if the desired FIFO is already selected. The change FIFO operation is required to update the internal buffer of the HFC-S mini. Otherwise the first byte of the FIFO will be taken from the internal buffer and may be invalid.

3.2.1.5 FIFO full condition in receive channels

Because the ISDN-B-channels and the ISDN-D-channels have no hardware based flow control there is no possibility to stop input data if a receive FIFO is full.

So there is no FIFO full condition implemented in the HFC-S mini. The HFC-S mini assumes that the FIFOs are so deep that the host processors hard- and software is able to avoid any overflow of the receive FIFOs. Overflow conditions are again more than 7 input frames or a real overflow of the FIFO because of excessive data (more than 128 bytes).

Because HDLC procedures only know a window size of 7 frames no more than 7 frames are sent without software intervention.

The register F_FILL indicates if the fill level of some FIFOs exceeds the number of bytes defined in the F_THRES register. A byte overflow can be avoided by polling this register.

However to avoid any undetected FIFO overflows the software driver should check the number of frames in the FIFO which is F1-F2. An overflow exists if the number (F1-F2) is less than the number in the last reading even if there was no reading of a frame in between.

After a detected FIFO overflow condition this FIFO must be reset by setting the FIFO reset bit in the INC_RES_F register.

3.2.2 FIFO initialization

After reset all FIFOs are disabled. To enable a FIFO at least one of bits[4:1] of the CON_HDLC register for the corresponding FIFO must be set to '1'.

For D-channel FIFOs the inter frame fill bit (bit 0 of CON_HDLC register) must be set to '1'. The HDLC_PAR register must be set to 02h ('0000 0010').

3.2.3 FIFO reset

All counters Z1, Z2, F1 and F2 of all FIFOs are initialized to all 1s after a RESET.

Then the result is $Z1 = Z2 = 7Fh$ and $F1 = F2 = 07h$.

The same initialisation is done if the bit 3 in the CIRM register is set (soft reset).

Single FIFOs can be reset by setting bit 1 of INC_RES_F register.

3.3 Transparent mode of HFC-S mini

You can switch off HDLC operation for each B-channel independently. There is one bit for each B-channel in the CON_HDLC control register. If this bit is set data in the FIFO is sent directly to the S/T or PCM bus interface and data from the S/T or PCM bus interface is sent directly to the FIFO.

The FIFOs should be empty when switching into transparent mode.

If a send FIFO channel changes to FIFO empty condition no CRC is generated and the last data byte in the FIFO memory is repeated until there is new data. If the last data byte which was written to the selected FIFO should be repeated the last byte must be written without increment of Z-counter (FIF_DATA register, address 84h).

In receive channels there is no check on flags or correct CRCs and no status byte is added.

The byte boundaries are not arbitrary like in HDLC mode where byte synchronisation is achieved with HDLC-flags. The data is just the same as it comes from the S/T or PCM bus interface or is sent to this.

Send and receive transparent data can be handled in two ways. The usual way is transporting B-channel data with the LSB first as it is usual in HDLC mode. The second way is sending the bytes in reverse bit order as it is usual for PWM data. So the first bit is the MSB. The bit order can be reversed by setting the corresponding bit in the F_CROSS register.

3.4 Correspondency between FIFOs, CHANNELs and SLOTS

For the data processing of the HFC-S mini you must distinguish between FIFOs, CHANNELs and SLOTS.

The FIFOs are buffers between the microprocessor interface and the data interfaces PCM and/or S/T. The HDLC controllers are located on the non host bus side of the FIFOs.

The CHANNELs are either mapped to the data channels on the S/T interface (then the CHANNEL selects the S/T channel as shown in Table 3) or they can be connected to arbitrary timeslots on the PCM interface. SLOTS are 8 bit timeslots on the PCM interface.

The following values (registers) characterise FIFOs, CHANNELs and SLOTS:

FIFO: FIFO#
 CHANNEL: CHANNEL#
 SLOT: B1_RSL, B1_SSL, B2_RSL, B2_SSL, AUX1_RSL, AUX1_SSL, AUX2_RSL and AUX2_SSL

Even numbers (LSB = '0') always belong to a transmit FIFO, transmit CHANNEL (see also: Table 3).
 Odd numbers (LSB = '1') always belong to a receive FIFO, receive CHANNEL (see also: Table 3).

In Simple Mode (F_MODE register bit 7 = '0', SM) the CHANNEL number equals the FIFO number. But it is possible to connect each FIFO to a PCM timeslot instead of the S/T interface in this mode (see table below).

FIFO-No. (FIFO#, bits 2..0)	CHANNEL after RESET	Possible Connections in Simple Mode (SM) (CON_HDLC, bits 7..5)
'000'	B1-transmit channel (S/T)	B1-transmit channel (S/T) PCM-transmit timeslot selected by B1_SSL
'001'	B1-receive channel (S/T)	B1-receive channel (S/T) PCM-receive timeslot selected by B1_RSL
'010'	B2-transmit channel (S/T)	B2-transmit channel (S/T) PCM-transmit timeslot selected by B2_SSL
'011'	B2-receive channel (S/T)	B1-receive channel (S/T) PCM-receive timeslot selected by B2_RSL
'100'	D-transmit channel (S/T)	D-transmit channel (S/T) PCM-transmit timeslot selected by AUX1_SSL
'101'	D-receive channel (S/T)	D-receive channel (S/T) PCM-receive timeslot selected by AUX1_RSL
'110'	invalid (E is receive only)	PCM-transmit timeslot selected by AUX2_SSL
'111'	E-receive channel (S/T)	E-receive channel (S/T) PCM-receive timeslot selected by AUX2_RSL

Table 2: Possible connections of FIFOs and CHANNELs in Simple Mode (SM)

In Channel Select Mode (F_MODE register bit 7 = '1', CSM) FIFOs can be associated with arbitrary CHANNELS.

FIFOs are selected by writing their number in the FIFO# register. All FIFOs are disabled after initialization (reset). By setting at least one of the CON_HDLC register bits 3..1 to '1' the selected FIFO is enabled.

The connection between a FIFO and a CHANNEL can be established by the CHANNEL# register for each FIFO if Channel Select Mode is enabled (F_MODE register bit 7 = '1', CSM). Otherwise the CHANNEL number equals the FIFO number.

The channels on the S/T interface (B1, B2, D and E) and PCM interface (B1, B2, AUX1 and AUX2) are numbered as follows:

CHANNEL Number (CHANNEL#, bits 2..0)	ISDN Channel on the S/T Interface	ISDN Channel on the PCM Interface
'000'	B1-transmit	B1-transmit
'001'	B1-receive	B1-receive
'010'	B2-transmit	B2-transmit
'011'	B2-receive	B2-receive
'100'	D-transmit	AUX1-transmit
'101'	D-receive	AUX1-receive
'110'	invalid (E is receive only)	AUX2-transmit
'111'	E-receive	AUX2-receive

Table 3: CHANNEL Numbers on the S/T Interface and PCM Interface

The data flow between the HFC part (FIFOs), S/T interface and PCM interface can be selected by the CON_HDLC register (bits 7..5) for each FIFO.

The PCM timeslot for B1, B2, AUX1 and AUX2 can be specified by the timeslot assigner (registers B1_RSL, B1_SSL, B2_RSL, B2_SSL, AUX1_RSL, AUX1_SSL, AUX2_RSL and AUX2_SSL).

Data of a CHANNEL can furthermore be looped over the PCM interface (and the timeslot assigner).

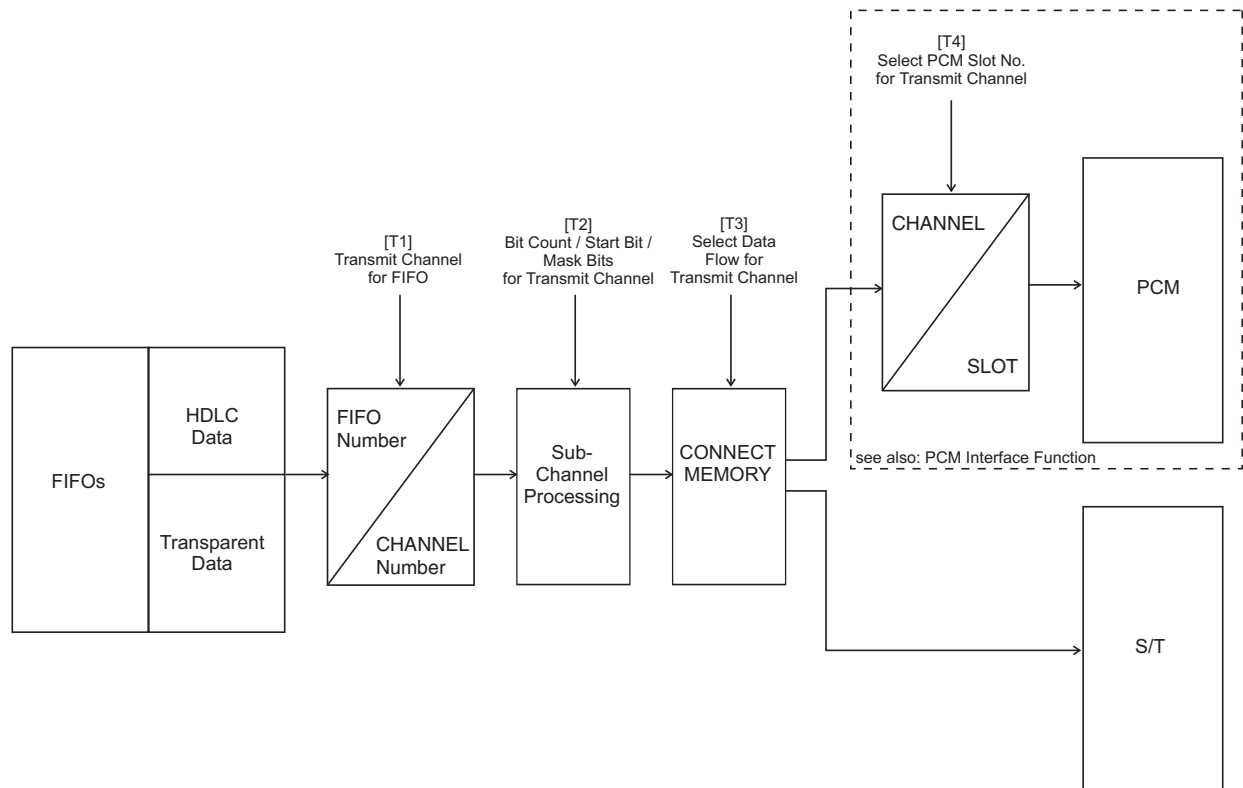


Figure 5: FIFOs, CHANNELS and SLOTS in Transmit Direction

- [T1] In Simple Mode (SM) the CHANNEL number is the same as the FIFO number. If Channel Select Mode (CSM) is enabled the transmit CHANNEL for a FIFO can be selected by
- 1) writing the FIFO number (0..7) in the FIFO# register
 - 2) writing the desired CHANNEL number (0..7) to the CHANNEL# register (bits 2..0)
- Please note that transmit CHANNELs are even numbered (bit 0 of CHANNEL# register = '0').
- [T2] The bit values for the not processed bits of the transmit CHANNEL are read from the CH_MASK register. The processed bits are taken from the FIFO (see also: Subchannel Processing). Please note that more than one FIFO can transmit data to the same CHANNEL. This is useful to combine subchannels and transmit them in one ISDN channel.
- [T3] Data can either be transmitted to the S/T interface or the PCM interface.
- 1) write the FIFO number (0..7) in the FIFO# register
 - 2) write the desired connection to the CON_HDLC register bits 7..5
- The CON_HDLC register bits 7..5 settings must be the same for corresponding receive and transmit FIFOs.

[T4] A PCM SLOT can be connected to a CHANNEL.

FIFO-No. (FIFO#, bits 2..0)	Register for Timeslot Selection
'000'	B1_SSL
'001'	B1_RSL
'010'	B2_SSL
'011'	B2_RSL
'100'	AUX1_SSL
'101'	AUX1_RSL
'110'	AUX2_SSL
'111'	AUX2_RSL

The PCM SLOT number for a FIFO can be selected by writing the desired SLOT number to its timeslot selection register shown in the table above. Please note that only the *_SSL registers are for transmit slots.

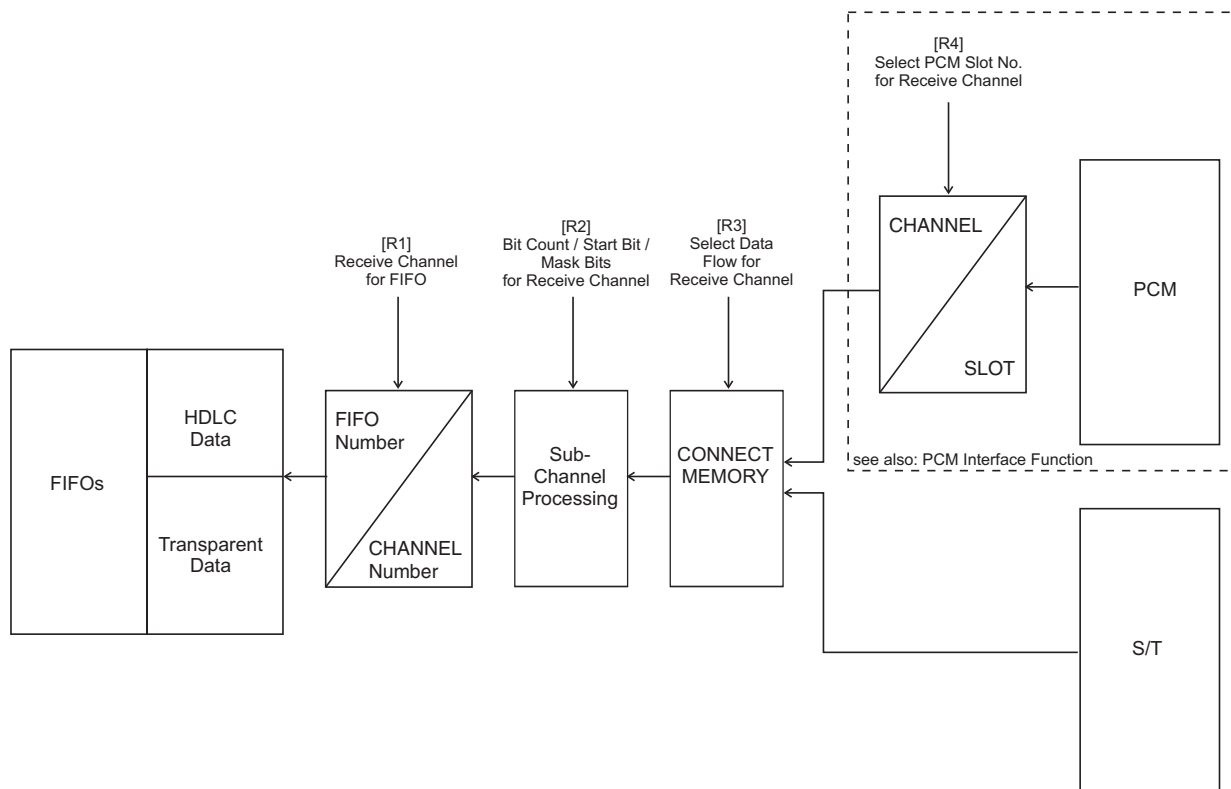


Figure 6: FIFOs, CHANNELs and SLOTS in Receive Direction

- [R1] In Simple Mode (SM) the CHANNEL number is the same as the FIFO number. If Channel Select Mode (CSM) is enabled the transmit CHANNEL for a FIFO can be selected by
- 1) writing the FIFO number (0..7) in the FIFO# register
 - 2) writing the desired CHANNEL number (0..7) to the CHANNEL# register (bits 2..0)
- Please note that receive CHANNELs are odd numbered (bit 0 of CHANNEL# register = '1').
- [R2] The bit values of the not processed bits of the receive CHANNEL are ignored. The processed bits are taken from the CHANNEL (see also: Subchannel Processing). Please note that more than one FIFO can receive data from the same CHANNEL (e.g. bits 1..0 are processed by FIFO 1 and bits 3..2 by FIFO 3). This is useful to split subchannels that have been combined to be transmitted in one ISDN channel.
- [R3] Data can either be received from the S/T interface or the PCM interface.
- 1) write the FIFO number (0..7) in the FIFO# register
 - 2) write the desired connection to the CON_HDLC register bits 7..5
- The CON_HDLC register bits 7..5 settings must be the same for corresponding receive and transmit FIFOs.
- [R4] A PCM SLOT can be connected to a CHANNEL.

FIFO-No. (FIFO#, bits 2..0)	Register for Timeslot Selection
'000'	B1_SSL
'001'	B1_RSL
'010'	B2_SSL
'011'	B2_RSL
'100'	AUX1_SSL
'101'	AUX1_RSL
'110'	AUX2_SSL
'111'	AUX2_RSL

The PCM SLOT number for a FIFO can be selected by writing the desired SLOT number to its timeslot selection register shown in the table above. Please note that only the *_RSL registers are for receive slots.

3.5 Subchannel Processing

The following example shows how subchannel processing can be configured by the HDLC_PAR register.

Example:

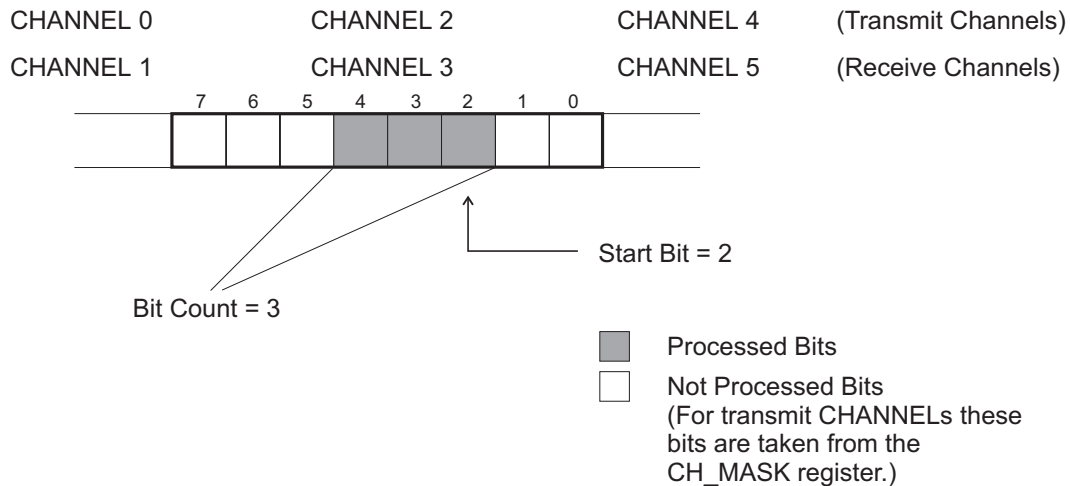


Figure 7: Example for Subchannel Processing

The start bit can be selected by bits 5..3 of the HDLC_PAR register. The number of bits to process can be selected by bits 2..0 of the HDLC_PAR register. By default (HDLC_PAR = 00h) all 8 bits are processed. In the given example the start bit is bit 2 and the number of bits to process is 3. The not processed bits are set to the value given in the CH_MASK register. Please note that the HDLC_PAR register settings can be different for each channel.

3.6 PCM Interface Function

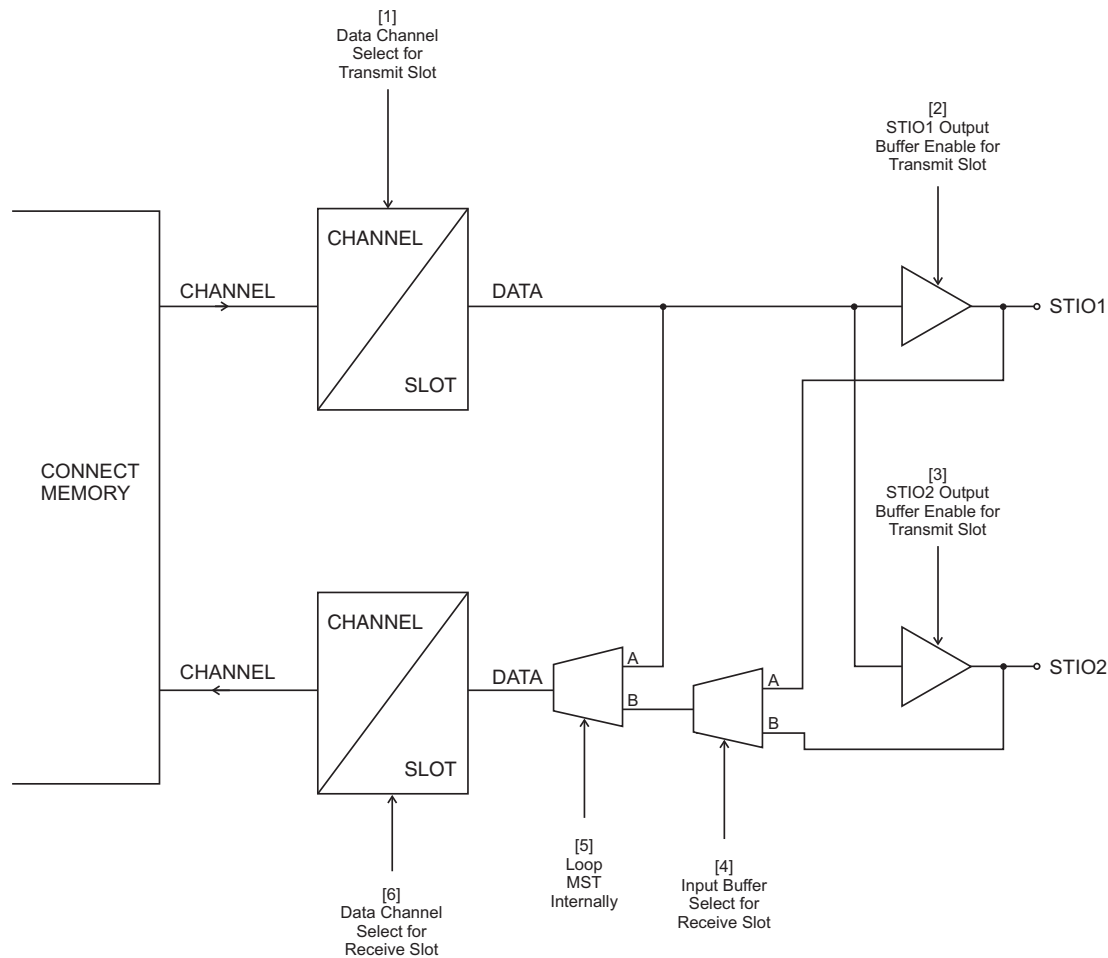


Figure 8: PCM Interface Function Block Diagram

For Transmit Slots (B1_SSL, B2_SSL, AUX1_SSL and AUX2_SSL Register)		
Number	Function	B1_SSL, B2_SSL, AUX1_SSL and AUX2_SSL Register Bits
[1]	Data Channel Select for Transmit Slot	Bits[4:0] are for timeslot selection.
[2]	STIO1 Output Buffer Enable for Transmit Slot	Bits[7:6] = '10' (STIO1 Output Buffer Enable)
[3]	STIO2 Output Buffer Enable for Transmit Slot	Bits[7:6] = '11' (STIO2 Output Buffer Enable)

For Receive Slots (B1_RSL, B2_RSL, AUX1_RSL and AUX2_RSL Register)		
Number	Function	B1_RSL, B2_RSL, AUX1_RSL and AUX2_RSL Register Bits
[4]	Input Buffer Select for Receive Slot	Bit 6 = '0' (Data In From STIO2 [MUX Input B]) Bit 6 = '1' (Data In From STIO1 [MUX Input A])
[5]	Loop MST Internally	Bit 6 of MST_MODE1 Register '0' MUX Input B (Normal Operation) '1' MUX Input A (Internal Loop)
[6]	Data Channel Select for Receive Slot	Bits[4:0] are for timeslot selection.

3.7 Configuring test loops

For electrical tests of layer 1 it is useful to create a S/T test loop for the B1/B2 channel. The test loop described here transmits the data that has been received on the B1 or B2 channel to the same channel on the S/T interface. To configure the test loop the following must be done:

- write **0Fh** to register CLKDEL (**37h**) // Adjust the phase offset between receive and
// transmit direction (the value depends on the external
// circuitry).
- write **43h** to register SCTRL (**31h**) // 03h is to enable B1, B2 at the S/T interface for
// transmission
// 40h is for TX_LO setup (capacitive line mode)
- write **00h** to register STATES (**30h**) // Release S/T state machine for activation over the
// S/T interface by incoming INFO 2 or INFO 4.
- write **03h** to register SCTRL_R (**33h**) // Configure S/T B1 and B2 channel to normal
// receive operation.
- write **00h** to register FIFO# (**0Fh**) // Select B1 transmit
- write **C4h** to register CON_HDLC (**FAh**) // Configure B1 transmit channel for test loop
- write **01h** to register FIFO# (**0Fh**) // Select B1 receive
- write **C4h** to register CON_HDLC (**FAh**) // Configure B1 receive channel for test loop
- write **02h** to register FIFO# (**0Fh**) // Select B2 transmit
- write **C4h** to register CON_HDLC (**FAh**) // Configure B2 transmit channel for test loop
- write **03h** to register FIFO# (**0Fh**) // Select B2 receive
- write **C4h** to register CON_HDLC (**FAh**) // Configure B2 receive channel for test loop
- write **80h** to register B1_SSL (**20h**) // Enable transmit channel for PCM/GCI/IOM2 bus, pin
// STIO1 is used as output, use time slot #0.
- write **C0h** to register B1_RSL (**24h**) // Enable receive channel for PCM/GCI/IOM2 bus, pin
// STIO1 is used as input, use time slot #0.
- write **81h** to register B2_SSL (**21h**) // Enable transmit channel for PCM/GCI/IOM2 bus, pin
// STIO1 is used as output, use transmission slot #1.
- write **C1h** to register B2_RSL (**25h**) // Enable receive channel for PCM/GCI/IOM2 bus, pin
// STIO1 is used as input, use time slot #1.
- write **01h** to register MST_MODE0 (**14h**) // Configure HFC-S mini as PCM/GCI/IOM2 bus master.

4 Register description

4.1 Register reference list

4.1.1 Registers by address

Registers by Address		
Name	Address	Page
CIRM	00h	31
FIF_Z1 []	04h	32
FIF_Z2 []	06h	32
RAM_ADR_L	08h	31
RAM_ADR_H	09h	31
RAM_DATA	0Ah	31
F_CROSS	0Bh	31
F_THRES	0Ch	32
FIF_F1 []	0Ch	32
F_MODE	0Dh	31
FIF_F2 []	0Dh	32
INC_RES_F []	0Eh	31
FIFO#	0Fh	32
INT_S1	10h	33
INT_S2	11h	34
MST_MODE0	14h	40
MST_MODE1	15h	41
CHIP_ID	16h	38
MST_MODE2	16h	42
F0_CNT_L	18h	42
F0_CNT_H	19h	42
F_USAGE []	1Ah	32
INT_M1	1Ah	35
F_FILL	1Bh	33
INT_M2	1Bh	35
STATUS	1Ch	38
TIME_SEL	1Ch	38
B1_SSL	20h	39
B2_SSL	21h	39
AUX1_SSL	22h	39
AUX2_SSL	23h	39
B1_RSL	24h	39
B2_RSL	25h	39
AUX1_RSL	26h	39

Registers by Address		
Name	Address	Page
AUX2_RSL	27h	39
C/I	28h	42
TRxR	29h	42
MON1_D	2Ah	42
MON2_D	2Bh	42
B1_D	2Ch	39
B2_D	2Dh	39
AUX1_D	2Eh	39
AUX2_D	2Fh	39
STATES	30h	43
SCTRL	31h	44
SCTRL_E	32h	44
SCTRL_R	33h	45
SQ_REC	34h	45
SQ_SEND	34h	45
CLKDEL	37h	45
B1_REC	3Ch	46
B1_SEND	3Ch	46
B2_REC	3Dh	46
B2_SEND	3Dh	46
D_REC	3Eh	46
D_SEND	3Eh	46
E_REC	3Fh	46
FIF_DATA []	80h	32
FIF_DATA []	84h	32
CH_MASK []	F4h	37
CON_HDLC []	FAh	36
HDLC_PAR []	FBh	35
CHANNEL# []	FCh	37

4.1.2 Registers by name

Registers by Name		
Name	Address	Page
AUX1_D	2Eh	39
AUX1_RSL	26h	39
AUX1_SSL	22h	39
AUX2_D	2Fh	39
AUX2_RSL	27h	39
AUX2_SSL	23h	39
B1_D	2Ch	39
B1_REC	3Ch	46
B1_RSL	24h	39
B1_SEND	3Ch	46
B1_SSL	20h	39
B2_D	2Dh	39
B2_REC	3Dh	46
B2_RSL	25h	39
B2_SEND	3Dh	46
B2_SSL	21h	39
C/I	28h	42
CH_MASK []	F4h	37
CHANNEL# []	FCh	37
CHIP_ID	16h	38
CIRM	00h	31
CLKDEL	37h	45
CON_HDLC []	FAh	36
D_REC	3Eh	46
D_SEND	3Eh	46
E_REC	3Fh	46
F_CROSS	0Bh	31
F_FILL	1Bh	33
F_MODE	0Dh	31
F_THRES	0Ch	32
F_USAGE []	1Ah	32
F0_CNT_H	19h	42
F0_CNT_L	18h	42

Registers by Name		
Name	Address	Page
FIF_DATA []	80h	32
FIF_DATA []	84h	32
FIF_F1 []	0Ch	32
FIF_F2 []	0Dh	32
FIF_Z1 []	04h	32
FIF_Z2 []	06h	32
FIFO#	0Fh	32
HDLC_PAR []	FBh	35
INC_RES_F []	0Eh	31
INT_M1	1Ah	35
INT_M2	1Bh	35
INT_S1	10h	33
INT_S2	11h	34
MON1_D	2Ah	42
MON2_D	2Bh	42
MST_MODE0	14h	40
MST_MODE1	15h	41
MST_MODE2	16h	42
RAM_ADR_H	09h	31
RAM_ADR_L	08h	31
RAM_DATA	0Ah	31
SCTRL	31h	44
SCTRL_E	32h	44
SCTRL_R	33h	45
SQ_REC	34h	45
SQ_SEND	34h	45
STATES	30h	43
STATUS	1Ch	38
TIME_SEL	1Ch	38
TRxR	29h	42

4.2 FIFO, interrupt, status and control registers

Name	Addr.	Bits	r/w	Function
CIRM	00h	2..0	w	unused, must be '0'
		3	w	soft reset The reset is active until the bit is cleared. '0' deactivate reset (reset default) '1' activate reset
		7..4	w	unused, must be '0'
F_CROSS	0Bh	Select bit order for FIFO data '0' normal bit order (LSB first, reset default) '1' reverse bit order (MSB first)		
		0	w	B1-transmit
		1	w	B1-receive
		2	w	B2-transmit
		3	w	B2- receive
		4	w	D-transmit
		5	w	D- receive
		6	w	PCM-transmit
7	w	PCM-receive		
F_MODE	0Dh	6..0	w	must be '0'
		7	w	Channel Select Mode enable (CSM)
INC_RES_F [FIFO#]	0Eh	0	w	increment F-counter of selected FIFO ('1'=increment)
		1	w	reset selected FIFO ('1'=reset FIFO)
		7..2	w	unused, should be '0'
RAM_ADR_L	08h	7..0	w	Address bits 7..0 for direct RAM access
RAM_ADR_H	09h	2..0	w	Address bits 10..8 for direct RAM access
		5..3	w	must be '0'
		6	w	'1' reset address This bit is automatically cleared.
		7	w	'1' increment address after each read or write access to RAM_DATA
RAM_DATA	0Ah	7..0	r/w	read/write RAM data FIFOs should be disabled before accessing the RAM directly.

The registers RAM_ADR_H, RAM_ADR_L and RAM_DATA can be used for direct accesses to the internal FIFO-RAM.

The FIFOs are located in the address range from 000h to 3FFh. Bits 2..0 of the address select the FIFO number, bits 10..4 are used to address the FIFO data.

Before reading / writing data from / to a memory region all FIFOs using this region must be disabled.

Name	Addr.	Bits	r/w	Function
FIFO#	0Fh	2..0	w	FIFO select '000' B1-transmit '001' B1-receive '010' B2-transmit '011' B2-receive '100' D-transmit '101' D-receive '110' PCM-transmit '111' PCM-receive
		7..3	w	unused, should be '0'
F_USAGE [FIFO#]	1Ah	7..0	w	fill level of FIFO in bytes
FIF_DATA [FIFO#]	80h	7..0	r/w	FIFO data register read/write data from/to the FIFO selected in the FIFO# register and increment Z-counter
	84h	7..0	r/w	FIFO data register (alternate) read/write data from/to the FIFO selected in the FIFO# register without incrementing Z-counter
FIF_F1 [FIFO#]	0Ch	7..0	r	FIFO input HDLC frame counter (F1) Up to 7 HDLC frames can be stored in each FIFO.
FIF_F2 [FIFO#]	0Dh	7..0	r	FIFO output HDLC frame counter (F2) Up to 7 HDLC frames can be stored in each FIFO.
FIF_Z1 [FIFO#]	04h	7..0	r	FIFO input counter (Z1) Up to 128 bytes can be stored in one FIFO so the maximum value of the Z1 counter is 7Fh.
FIF_Z2 [FIFO#]	06h	7..0	r	FIFO output counter (Z2) Up to 128 bytes can be stored in one FIFO so the maximum value of the Z2 counter is 7Fh.
F_THRES	0Ch	3..0	w	transmit FIFO threshold for B1-transmit, B2-transmit, D- transmit and PCM-transmit (see also F_FILL) '0000' 0 bytes '0001' 8 bytes (reset default) : : '1111' 120 bytes The corresponding bit(s) in the F_FILL register are set if the number of bytes in a transmit FIFO is greater or equal than this value.
		7..4	w	receive FIFO threshold for B1-receive, B2-receive, D-receive and PCM-receive (see also F_FILL) '0000' 0 bytes '0001' 8 bytes (reset default) : : '1111' 120 bytes The corresponding bit(s) in the F_FILL register are set if the number of bytes in a receive FIFO is greater or equal than this value.

Name	Addr.	Bits	r/w	Function
F_FILL	1Bh	'0' Number of bytes in the following FIFOs is lower than the value defined in the F_THRES register.		
		'1' Number of bytes in the following FIFOs is greater or equal than the value defined in the F_THRES register.		
		0	r	B1-transmit
		1	r	B1-receive
		2	r	B2-transmit
		3	r	B2-receive
		4	r	D-transmit
		5	r	D-receive
INT_S1	10h	6	r	PCM-transmit
		7	r	PCM-receive
		0	r	B1-channel interrupt status in transmit direction '1' a complete frame has been transmitted, the frame counter F2 has been incremented
		1	r	B1-channel interrupt status in receive direction '1' a complete frame has been transmitted, the frame counter F1 has been incremented
		2	r	B2-channel interrupt status in transmit direction '1' a complete frame has been transmitted, the frame counter F2 has been incremented
		3	r	B2-channel interrupt status in receive direction '1' a complete frame has been transmitted, the frame counter F1 has been incremented
		4	r	D-channel interrupt status in transmit direction '1' a complete frame was transmitted, the frame counter F2 was incremented
		5	r	D-channel interrupt status in receive direction '1' a complete frame was transmitted, the frame counter F1 was incremented
6	r	PCM-channel interrupt status in transmit direction '1' a complete frame was transmitted, the frame counter F2 was incremented		
7	r	PCM-channel interrupt status in receive direction '1' a complete frame was transmitted, the frame counter F1 was incremented		

👉 note!
 The interrupts indicated in the INT_S1 register are frame interrupts which occur in HDLC mode. In transparent mode an interrupt can be generated on a regular basis. Interrupt frequency can be selected in the CON_HDLC register.

Name	Addr.	Bits	r/w	Function
INT_S2	11h	0	r	TE/NT state machine interrupt status '1' state of state machine changed
		1	r	timer interrupt status '1' timer is elapsed
		2	r	processing/non processing transition interrupt status '1' The HFC-S mini has changed from processing to non processing state.
		3	r	GCI I-change interrupt '1' a different I-value on GCI was detected
		4	r	receiver ready (RxR) of monitor channel '1' 2 monitor bytes have been received
		7..5	r	unused, '0'

 **important!**

Reading the INT_S1 or INT_S2 register resets all active read interrupts in the INT_S1 or INT_S2 register respectively. New interrupts may occur during read. These interrupts are reported at the next read of INT_S1 or INT_S2.

All interrupt bits are reported regardless of the mask registers settings (INT_M1 and INT_M2). The mask registers settings only influence the interrupt output condition.

The interrupt output goes inactive during the read of INT_S1 or INT_S2. If interrupts occur during this read the interrupt line goes active immediately after the read is finished. So processors with level or transition triggered interrupt inputs can be connected.

Name	Addr.	Bits	r/w	Function
INT_M1	1Ah	0	w	interrupt mask for channel B1 in transmit direction
		1	w	interrupt mask for channel B1 in receive direction
		2	w	interrupt mask for channel B2 in transmit direction
		3	w	interrupt mask for channel B2 in receive direction
		4	w	interrupt mask for channel D in transmit direction
		5	w	interrupt mask for channel D in receive direction
		6	w	interrupt mask for channel PCM in transmit direction
		7	w	interrupt mask for channel PCM in receive direction
INT_M2	1Bh	0	w	interrupt mask for TE/NT state machine state change
		1	w	interrupt mask for timer
		2	w	interrupt mask for processing/non processing transition
		3	w	interrupt mask for GCI I-change
		4	w	interrupt mask for receiver ready (RxR) of monitor channel
		5	w	unused, must be '0'
		6	w	interrupt output is reversed
		7	w	enable interrupt output

For mask bits a '1' enables and a '0' disables interrupt. RESET clears all bits to '0'.

Name	Addr.	Bits	r/w	Function
HDLC_PAR [FIFO#]	FBh	2..0	w	bit count for HDLC and transparent mode (number of bits to process) '000' process 8 bits (64kbit/s) (reset default) '001' process 1 bit : : '111' process 7 bits (56kbit/s)
		5..3	w	start bit for HDLC and transparent mode '000' start processing with bit 0 (reset default) : : '111' start processing with bit 7
		6	w	FIFO loop '0' normal operation (reset default) '1' repeat current frame
		7	w	invert data enable/disable '0' normal read/write data (reset default) '1' invert data

👉 important!

For B-channels the HDLC_PAR register must be set to 00h. To use 56kbit/s restricted mode the HDLC_PAR register must be set to 07h for B-channels.

For D-channels the HDLC_PAR register must be set to 02h.

Name	Addr.	Bits	r/w	Function
CON_HDLC [FIFO#]	FAh	0	w	inter frame fill '0' write HDLC flags as inter frame fill (reset default) '1' write all '1's as inter frame fill (must be set for D-channel)
		1	w	HDLC mode/transparent mode select '0' HDLC mode (reset default) '1' transparent mode select
		3..2	w	transparent mode interrupt frequency select '00' every 8 bytes '01' every 16 bytes '10' every 32 bytes '11' every 64 bytes
		4	w	must be '0'
		7..5	w	select data flow for selected FIFO <div style="text-align: center;"> destination source </div> B1-channel (FIFO0 and 1, see FIFO#): bit 5: '0' FIFO1 ← B1-S/T '1' FIFO1 ← B1-PCM bit 6: '0' B1-S/T ← FIFO0 '1' B1-S/T ← B1-PCM bit 7: '0' B1-PCM ← FIFO0 '1' B1-PCM ← B1-S/T B2-channel (FIFO2 and 3, see FIFO#): bit 5: '0' FIFO3 ← B2-S/T '1' FIFO3 ← B2-PCM bit 6: '0' B2-S/T ← FIFO2 '1' B2-S/T ← B2-PCM bit 7: '0' B2-PCM ← FIFO2 '1' B2-PCM ← B2-S/T D-channel and PCM (FIFO4 and 5, see FIFO#): bit 5: '0' FIFO5 ← D-S/T '1' FIFO5 ← AUX1 bit 6: '0' D-S/T ← FIFO4 '1' D-S/T ← AUX1 bit 7: '0' AUX1 ← FIFO4 '1' AUX1 ← D-S/T E-channel and PCM (FIFO6 and 7, see FIFO#): bit 5: '0' FIFO7 ← E-S/T '1' FIFO7 ← AUX2 bit 6: '0' E-S/T ← FIFO6 '1' E-S/T ← AUX2 bit 7: '0' AUX2 ← FIFO6 '1' AUX2 ← E-S/T CON_HDLC register bits[7:5] must be the same for corresponding receive and transmit FIFOs.

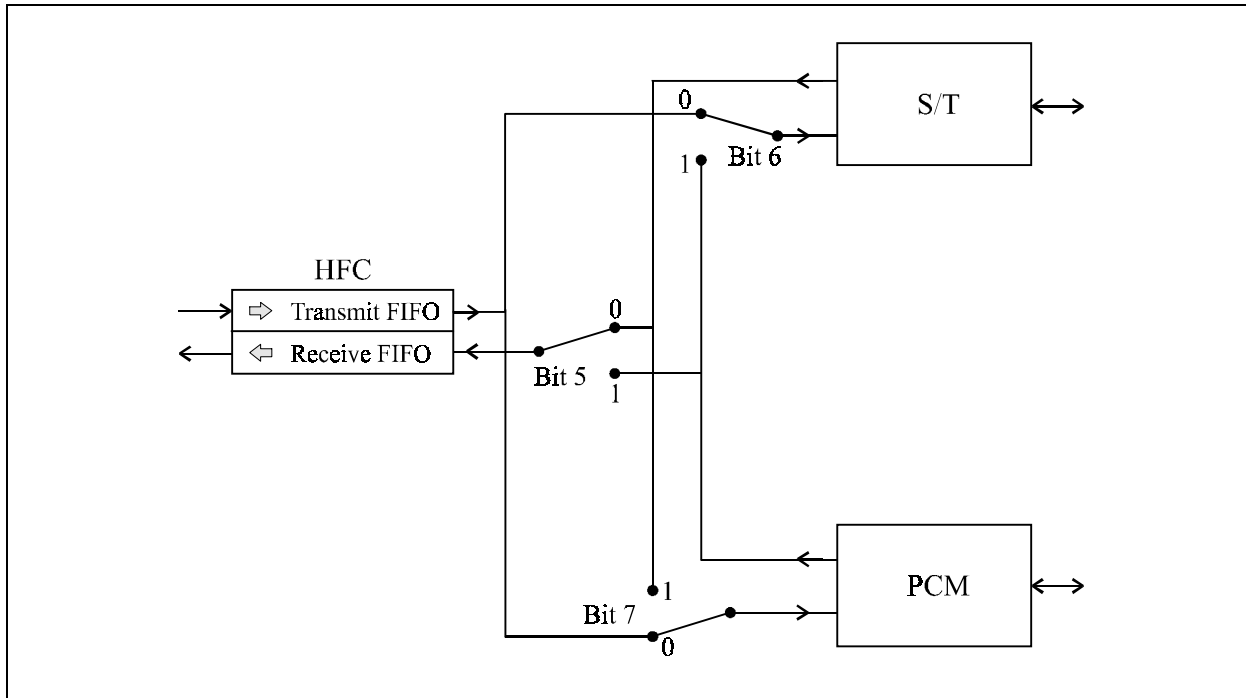


Figure 9: Function of CON_HDLC register bits 7..5

Name	Addr.	Bits	r/w	Function
CH_MASK [FIFO#]	F4h	7..0	w	Bit value for not processed bits of a channel. All not processed bits of a channel are set to the value defined in this register.
CHANNEL# [FIFO#]	FCh	2..0	w	link selected FIFO to ISDN channel (only in Channel Select Mode (CSM), see F_MODE register)
				bit 2 bit 1 bit 0 link FIFO to S/T channel
				0 0 0 B1-transmit
				0 0 1 B1-receive
				0 1 0 B2-transmit
				0 1 1 B2-receive
				1 0 0 D-transmit
				1 0 1 D-receive
1 1 0 invalid (E is receive only)				
1 1 1 E-receive				
		7..3	w	unused, must be '0'

Name	Addr.	Bits	r/w	Function
CHIP_ID	16h	3..0	r	unused, '0'
		7..4	r	Chip identification '0101' HFC-S mini
STATUS	1Ch	0	r	BUSY/NOBUSY status '1' the HFC-S mini is BUSY after initializing reset FIFO, increment F or change FIFO '0' the HFC-S mini is not busy, all accesses are allowed
		1	r	processing/non processing status '1' the HFC-S mini is in processing phase (every 125µs) '0' the HFC-S mini is not in processing phase
		2	r	unused, '0'
		3	r	AWAKE input signal
		4	r	SYNC_I input signal
		5	r	unused, '0'
		6	r	an interrupt (with enabled mask bit) indicated in the INT_S2 register has occurred
		7	r	FRAME interrupt with enabled mask bit has occurred (any data channel interrupt) All masked B-, D- and PCM-channel interrupts are "ored" (see register INT_S1)

Reading the STATUS register clears no bit.

Name	Addr.	Bits	r/w	Function
TIME_SEL	1Ch	3..0	w	select interrupt frequency of timer interrupt '0000' every 250µs '0001' every 500µs '0010' every 1ms '0011' every 2ms '0100' every 4ms '0101' every 8ms '0110' every 16ms '0111' every 32ms '1000' every 64ms '1001' every 128ms '1010' every 256ms '1011' every 512ms '1100' every 1024ms '1101' every 2048ms '1110' every 4096ms '1111' every 8192ms
		7..4	w	unused, must be '0'

4.3 PCM/GCI/IOM2 bus section registers

Timeslots for transmit direction

Name	Addr.	Bits	r/w	Function
B1_SSL	20h	4..0	w	select PCM/GCI/IOM2 bus transmission slot (0..31, 32..63, 64..95, 96..127, see MST_MODE2 register bits 5..4)
B2_SSL	21h	5	w	unused
AUX1_SSL AUX2_SSL	22h 23h	6	w	select PCM/GCI/IOM2 bus data lines '0' STIO1 output '1' STIO2 output
		7	w	transmit channel enable for PCM/GCI/IOM2 bus '0' disable (reset default) '1' enable

👉 important!
Enabling more than one channel on the same slot causes undefined output data.

Timeslots for receive direction

Name	Addr.	Bits	r/w	Function
B1_RSL	24h	4..0	w	select PCM/GCI/IOM2 bus receive slot (0..31, 32..63, 64..95, 96..127, see MST_MODE2 register bits 5..4)
B2_RSL	25h	5	w	unused
AUX1_RSL AUX2_RSL	26h 27h	6	w	select PCM/GCI/IOM2 bus data lines '0' STIO2 is input '1' STIO1 is input
		7	w	receive channel enable for PCM/GCI/IOM2 bus '0' disable (reset default) '1' enable

Data registers

Name	Addr.	Bits	r/w	Function
B1_D *) B2_D *) AUX1_D *) AUX2_D *)	2Ch 2Dh 2Eh 2Fh	0..7	r/w	read/write data registers for selected timeslot data

*) These registers are read/written automatically by the HDLC FIFO controller (HFC) or PCM controller and need not be accessed by the user. To read/write data the FIFO registers should be used.

👉 note!

Auxiliary channel handling

To support an automatic codec to codec connection AUX1_D and AUX2_D can be set into mirror mode. In this case if the data registers AUX1_D and AUX2_D are not overwritten, the transmission slots AUX1_SSL and AUX2_SSL mirror the data received in AUX1_RSL and AUX2_RSL slots. This is useful for an internal connection between two CODECs. This mirroring is enabled by setting bits 1..0 in MST_MODE1 register

Configuration and status registers

Name	Addr.	Bits	r/w	Function
MST_MODE0	14h	0	w	PCM/GCI/IOM2 bus mode '0' slave (reset default) (C4IO and F0IO are inputs) '1' master (C4IO and F0IO are outputs)
		1	w	polarity of C4- and C2O-clock '0' F0IO is sampled on negative clock transition '1' F0IO is sampled on positive clock transition
		2	w	polarity of F0-signal '0' F0 positive pulse '1' F0 negative pulse
		3	w	duration of F0-signal '0' F0 active for one C4-clock (244ns) (reset default) '1' F0 active for two C4-clocks (488ns)
		5..4	w	time slot for codec-A signal F1_A '00' B1 receive slot '01' B2 receive slot '10' AUX1 receive slot '11' signal C2O → pin F1_A (C2O is 1/2 C4O)
		7..4		time slot for codec-B signal F1_B '00' B1 receive slot '01' B2 receive slot '10' AUX1 receive slot '11' AUX2 receive slot

The pulse shape and polarity of the codec signals F1_A and F1_B is the same as the pulse shape of the F0IO signal. The polarity of C2O can be changed by bit 1.

RESET sets register MST_MODE0, MST_MODE1 and MST_MODE2 to all '0's.

👉 important!

If no external clock source is connected to C4IO and F0IO bit 0 of MST_MODE0 must be set for normal operation.

Name	Addr.	Bits	r/w	Function
MST_MODE1	15h	0	w	enable/disable AUX1 channel mirroring '0' disable AUX1 channel data mirroring (reset default) '1' mirror AUX1 receive to AUX1 transmit
		1	w	enable/disable AUX2 channel mirroring '0' disable AUX2 channel data mirroring (reset default) '1' mirror AUX2 receive to AUX2 transmit
		3..2	w	DPLL adjust speed '00' C4IO clock is adjusted in the last time slot of MST frame 4 times by one half clock cycle '01' C4IO clock is adjusted in the last time slot of MST frame 3 times by one half clock cycle '10' C4IO clock is adjusted in the last time slot of MST frame twice by one half clock cycle '11' C4IO clock is adjusted in the last time slot of MST frame once by one half clock cycle
		5..4	w	PCM data rate '00' 2MBit/s (PCM30) '01' 4MBit/s (PCM64) '10' 8MBit/s (PCM128) '11' unused
		6	w	MST test loop When set MST output data is looped to the MST inputs.
		7	w	enable PCM/GCI/IOM2 write slots '0' disable PCM/GCI/IOM2 write slots; slot #2 and slot #3 may be used for normal data '1' enables slot #2 and slot #3 as master, D- and C/I-channel

Name	Addr.	Bits	r/w	Function
MST_MODE2	16h	0	w	'1' generate frame signal for OKI™ codecs on F1_A (see also PCM/GCI/IOM2 timing on page 56)
		1	w	'1' generate frame signal for OKI™ codecs on F1_B (see also PCM/GCI/IOM2 timing on page 56)
		2	w	select PCM DPLL sync source '0' S/T receive frame (only in TE mode and state F7) '1' SYNC_I input 8 kHz
		3	w	select SYNC_O output '0' S/T receive frame 8 kHz (only in TE mode and state F7) '1' SYNC_I is connected to SYNC_O
		5..4	w	PCM/GCI/IOM2 slot select for higher data rates '00' slots 31..0 accessible '01' slots 63..32 accessible '10' slots 95..64 accessible '11' slots 127..96 accessible
		6	w	This bit is only valid if bit 7 is set. '0' PCM frame time is reduced as selected by bits 3..2 of the MST_MODE1 register '1' PCM frame time is increased as selected by bits 3..2 of the MST_MODE1 register
		7	w	'0' normal operation '1' enable PCM PLL adjust if no sync source is available
F0_CNT_L	18h	7..0	r	F0IO pulse count 16 bit 125µs time counter (low byte)
F0_CNT_H	19h	7..0	r	F0IO pulse count 16 bit 125µs time counter (high byte)
C/I	28h	3..0	r/w	on read: indication on write: command
		7..4		unused
TRxR	29h	0	r	'1' Monitor receiver ready (2 monitor bytes have been received)
		1	r	'1' Monitor transmitter ready Writing on MON2_D starts transmission and resets this bit.
		5..2	r	reserved
		6	r	STIO2 in
		7	r	STIO1 in
MON1_D	2Ah	7..0	r/w	first monitor byte
MON2_D	2Bh	7..0	r/w	second monitor byte

4.4 S/T section registers

Name	Addr.	Bits	r/w	Function
STATES (read)	30h	3..0	r	binary value of actual state (NT: Gx, TE: Fx)
		4	r	Frame-Sync ('1'=synchronized)
		5	r	'1' timer T2 expired (NT mode only, see also 8.1 S/T interface activation/deactivation layer 1 for finite state matrix for NT on page 65)
		6	r	'1' receiving INFO0
		7	r	'1' in NT mode: transition from G2 to G3 is allowed.
STATES (write)	30h	3..0	w	Set new state xxxx (bit 4 must also be set to load the state).
		4	w	'1' loads the prepared state (bit 3..0) and stops the state machine. This bit needs to be set for a minimum period of 5.21µs and must be cleared by software. (reset default) '0' enables the state machine. After writing an invalid state the state machine goes to deactivated state (G1, F2)
		6..5	w	'00' no operation '01' no operation '10' start deactivation '11' start activation The bits are automatically cleared after activation/deactivation.
		7	w	'0' no operation '1' in NT mode: allows transition from G2 to G3. This bit is automatically cleared after the transition.

 **important!**

The S/T state machine is stuck to '0' after a reset.

In this state the HFC-S mini sends no signal on the S/T-line and it is not possible to activate it by incoming INFOx.

Writing a '0' to bit 4 of the STATES register restarts the state machine.

NT mode: The NT state machine does not change automatically from G2 to G3 if the TE side sends INFO3 frames. This transition must be activated each time by bit 7 of the STATES register or by setting bit 0 of the SCTRL_E register.

Name	Addr.	Bits	r/w	Function
SCTRL	31h	0	w	'0' B1 send data disabled (permanent 1 sent in activated states, reset default) '1' B1 data enabled
		1	w	'0' B2 send data disabled (permanent 1 sent in activated states, reset default) '1' B2 data enabled
		2	w	S/T interface mode '0' TE mode (reset default) '1' NT mode
		3	w	D-channel priority '0' high priority 8/9 (reset default) '1' low priority 10/11
		4	w	S/Q bit transmission '0' S/Q bit disable (reset default) '1' S/Q bit and multiframe enable
		5	w	'0' normal operation (reset default) '1' send 96kHz transmit test signal (alternating zeros)
		6	w	TX_LO line setup This bit must be configured depending on the used S/T module and circuitry to match the 400Ω pulse mask test. '0' capacitive line mode (reset default) '1' non capacitive line mode
		7	w	Power down '0' power up, oscillator active (reset default) '1' power down, oscillator stopped Oscillator is restarted when AWAKE input becomes '1' or on any write access to the HFC-S mini.
SCTRL_E	32h	0	w	force G2 → G3 automatic transition from G2 → G3 without setting bit 7 of STATES register
		1	w	must be '0'
		2	w	D reset '0' normal operation (reset default) '1' D bits are forced to '1'
		3	w	D_U enable '0' normal operation (reset default) '1' D channel is always send enabled regardless of E receive bit
		4	w	force E='0' (NT mode) '0' normal operation (reset default) '1' E-bit send is forced to '0'
		6..5	w	must be '0'
		7	w	'1' swap B1 and B2-channel in the S/T interface

Name	Addr.	Bits	r/w	Function
SCTRL_R	33h	0	w	B1-channel receive enable
		1	w	B2-channel receive enable '0' B-receive bits are forced to '1' '1' normal operation
		7..2	w	unused
SQ_REC	34h	3..0	r	TE mode: S bits (bit 3 = S1, bit 2 = S2, bit 1 = S3, bit 0 = S4) NT mode: Q bits (bit 3 = Q1, bit 2 = Q2, bit 1 = Q3, bit 0 = Q4)
		4	r	'1' a complete S or Q multiframe has been received Reading SQ_REC clears this bit.
		6..5	r	not defined
		7	r	'1' ready to send a new S or Q multiframe Writing to SQ_SEND clears this bit.
SQ_SEND	34h	3..0	w	TE mode: Q bits (bit 3 = Q1, bit 2 = Q2, bit 1 = Q3, bit 0 = Q4) NT mode: S bits (bit 3 = S1, bit 2 = S2, bit 1 = S3, bit 0 = S4)
		7..4	w	not defined
CLKDEL	37h	3..0	w	TE: 4 bit delay value to adjust the 2 bit time between receive and transmit direction (see also Figure 14). The delay of the external S/T-interface circuit can be compensated. The lower the value the smaller the delay between receive and transmit direction. NT: Data sample point. The lower the value the earlier the input data is sampled. The steps are 163ns.
		6..4	w	NT mode only early edge input data shaping Low pass characteristic of extended bus configurations can be compensated. The lower the value the earlier input data pulse is sampled. No compensation means a value of 6 (110b). Step size is the same as for bits 3-0.
		7	w	unused

note!

The register is not initialized with a '0' after reset. The register should be initialized as follows before activating the TE/NT state machine:

TE mode: 0Dh .. 0Fh (0Fh for S/T interface circuitry shown on page 59)
NT mode: 6Ch

Name	Addr.	Bits	r/w	Function
B1_REC *)	3Ch	7..0	r	B1-channel receive register
B1_SEND *)	3Ch	7..0	w	B1-channel transmit register
B2_REC *)	3Dh	7..0	r	B2-channel receive register
B2_SEND *)	3Dh	7..0	w	B2-channel transmit register
D_REC *)	3Eh	7..0	r	D-channel receive register
D_SEND *)	3Eh	7..0	w	D-channel transmit register
E_REC *)	3Fh	7..0	r	E-channel receive register

*) These registers are read/written automatically by the HDLC FIFO controller (HFC) or PCM controller and need not be accessed by the user. To read/write data the FIFO registers should be used.

5 Electrical characteristics

Absolute maximum ratings

Parameter	Symbol	Rating
Supply voltage	V_{DD}	-0.3V to +7.0V
Input voltage	V_I	-0.3V to $V_{CC} + 0.3V$
Output voltage	V_O	-0.3V to $V_{CC} + 0.3V$
Operating temperature	T_{opr}	-10°C to +85°C
Storage temperature	T_{stg}	-40°C to +125°C

Recommended operating conditions

Parameter	Symbol	Condition	MIN.	TYP.	MAX.
Supply voltage	V_{DD}	$V_{DD}=5V$	4.75V	5V	5.25V
		$V_{DD}=3.3V$	3.0V	3.3V	3.6V
Operating temperature	T_{opr}		0°C		+70°C
Supply current normal power down	I_{DD}	$f_{CLK}=24.576MHz$ $V_{DD} = 3.3V$, running oscillator: oscillator stopped:			

Electrical characteristics for 3.3V power supply

 $V_{DD} = 3.0V$ to $3.6V$, $T_{opr} = 0°C$ to $+70°C$

Parameter	Symbol	Condition	TTL level			CMOS level		
			MIN.	TYP.	MAX.	MIN.	TYP.	MAX.
Input LOW voltage	V_{IL}				0.8V			1.0V
Input HIGH voltage	V_{IH}		1.5V			2.0V		
Output LOW voltage	V_{OL}				0.4V			0.4V
Output HIGH voltage	V_{OH}		2.4V			2.4V		
Schmitt trigger, positive-going threshold	V_{T+}				1.3V			2.0V
Schmitt trigger, negative-going threshold	V_{T-}		0.5V			1.0V		

Electrical characteristics for 5V power supply

$V_{DD} = 4.75V$ to $5.25V$, $T_{opr} = 0^{\circ}C$ to $+70^{\circ}C$

Parameter	Symbol	Condition	TTL level			CMOS level		
			MIN.	TYP.	MAX.	MIN.	TYP.	MAX.
Input LOW voltage	V_{IL}				0.8V			1.5V
Input HIGH voltage	V_{IH}		2.0V			3.5V		
Output LOW voltage	V_{OL}				0.4V			0.4V
Output HIGH voltage	V_{OH}		2.4V			2.4V		
Schmitt trigger, positive-going threshold	V_{T+}				2.0V			4.0V
Schmitt trigger, negative-going threshold	V_{T-}		0.8V			1.0V		

I/O Characteristics

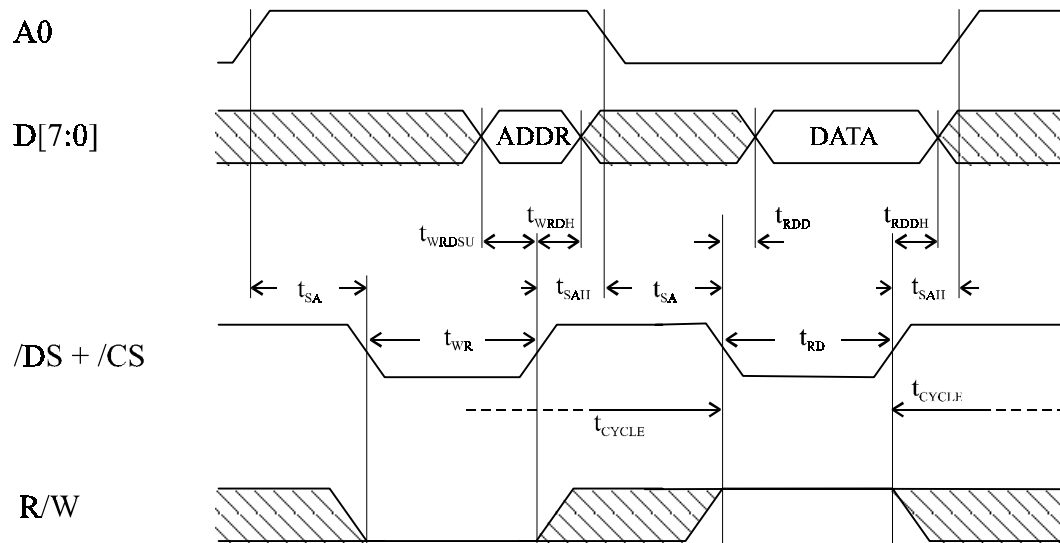
Input	Interface Level
/RD	CMOS
/WR	CMOS
/CS	CMOS, internal pull-up resistor
ALE	CMOS, internal pull-up resistor
A0	CMOS
D0-7	CMOS
CLKI	CMOS
AWAKE	CMOS
C4IO	TTL Schmitt Trigger, internal pull-up resistor
F0IO	CMOS, internal pull-up resistor
STIO1-2	CMOS, internal pull-up resistor
/WAIT	CMOS, internal pull-up resistor
/RES	CMOS Schmitt Trigger, internal pull-up resistor

	Driver Capability	
	Low	High
Output	0.4V	V_{DD} - 0.8V
D0-7	4mA	2mA
C4IO	8mA	4mA
F0IO	8mA	4mA
STIO1-2	8mA	4mA
F1_A-B	4mA	2mA
/WAIT	4mA	
/INT	4mA	

6 Timing characteristics

6.1 Microprocessor access

6.1.1 Register read access in de-multiplexed Motorola mode (mode 2)



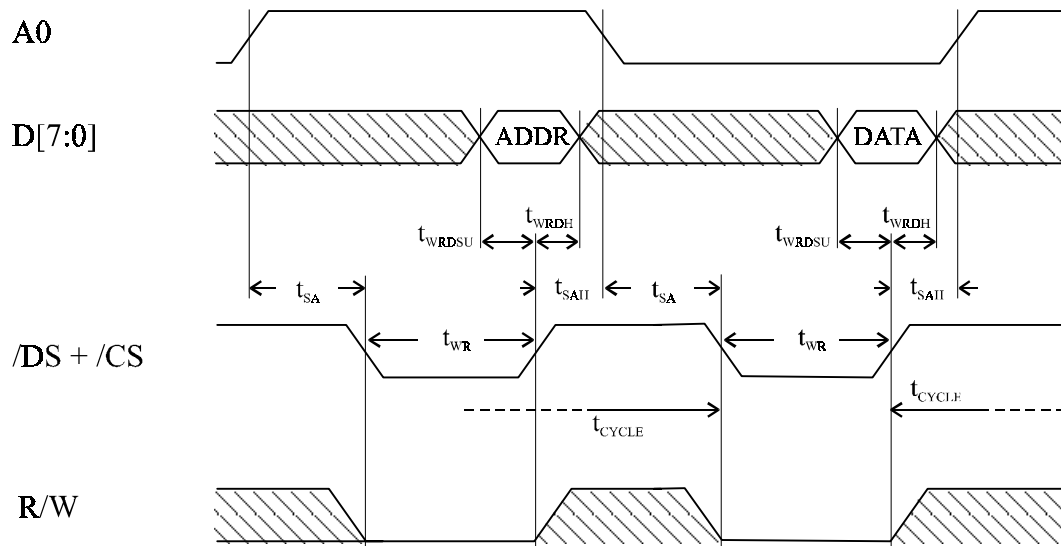
Timing diagram 1: Register read access in de-multiplexed Motorola mode (mode 2)

SYMBOL	CHARACTERISTICS	MIN.	MAX.
t_{RD}	Read Time	50ns	∞
t_{RDD}	/DS Low to Read Data Out Time	3ns	25ns
t_{RDDH}	/DS High to Data Buffer Turn Off Time	2ns	15ns
t_{SA}	Address to /DS Low Setup Time	20ns	–
t_{SAH}	Address Hold Time after /DS High	20ns	–
t_{WR}	Write Time	50ns	∞
t_{WRDSU}	Write Data Setup Time to /DS High	30ns	∞
t_{WRDH}	Write Data Hold Time from /DS High	10ns	–
t_{CYCLE}	End of Read Data Cycle to End of Next Read/Write Data Cycle Time	$6 \times t_{CLKI}$	∞

👉 hint!
 If the same register as in the last register read/write access is accessed the register address write is not required.

t_{CLKI} is the CLKI clock period.

6.1.2 Register write access in de-multiplexed Motorola mode (mode 2)

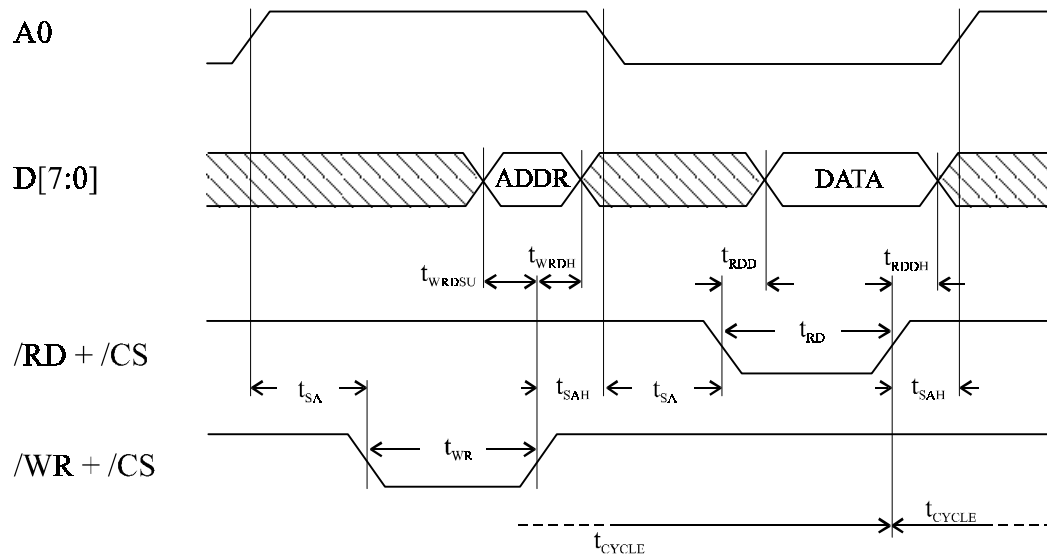


Timing diagram 2: Register write access in de-multiplexed Motorola mode (mode 2)

SYMBOL	CHARACTERISTICS	MIN.	MAX.
t_{SA}	Address to /DS Low Setup Time	20ns	–
t_{SAH}	Address Hold Time after /DS High	20ns	–
t_{WR}	Write Time	50ns	∞
t_{WRDSU}	Write Data Setup Time to /DS High	30ns	∞
t_{WRDH}	Write Data Hold Time from /DS High	10ns	–
t_{CYCLE}	End of Write Data Cycle to Start of Next Read/Write Data Cycle Time	$6 \times t_{CLKI}$	∞

👉 hint!
 If the same register as in the last register read/write access is accessed the register address write is not required.

6.1.3 Register read access in de-multiplexed Intel mode (mode 3)



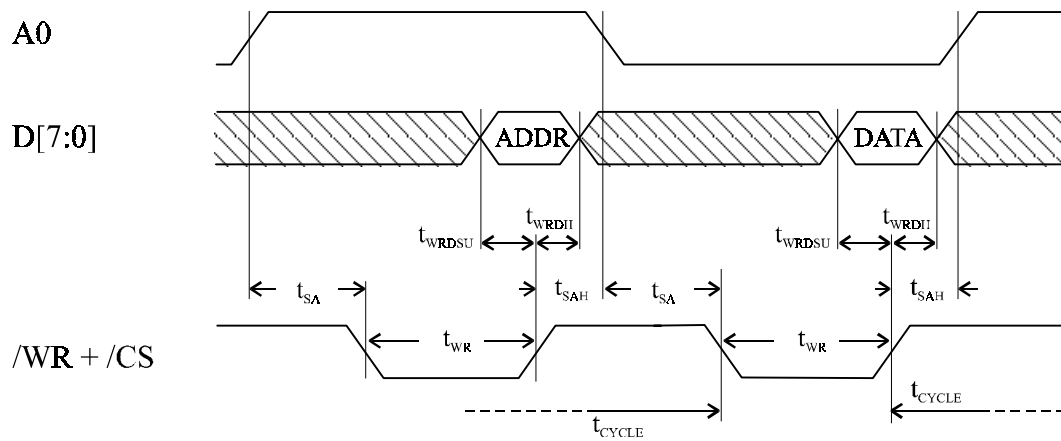
Timing diagram 3: Register read access in de-multiplexed Intel mode (mode 3)

SYMBOL	CHARACTERISTICS	MIN.	MAX.
t_{RD}	Read Time	50ns	∞
t_{RDD}	/RD Low to Read Data Out Time	3ns	25ns
t_{RDDH}	/RD High to Data Buffer Turn Off Time	2ns	15ns
t_{SA}	Address to /RD or /WR Low Setup Time	20ns	–
t_{SAH}	Address Hold Time after /RD or /WR High	20ns	–
t_{WR}	Write Time	50ns	∞
t_{WRDSU}	Write Data Setup Time to /WR High	30ns	∞
t_{WRDH}	Write Data Hold Time from /WR High	10ns	–
t_{CYCLE}	End of Read Data Cycle to End of Next Read/Write Data Cycle Time	$6 \times t_{CLKI}$	∞

👉 **hint!**
 If the same register as in the last register read/write access is accessed the register address write is not required.

t_{CLKI} is the CLKI clock period.

6.1.4 Register write access in de-multiplexed Intel mode (mode 3)

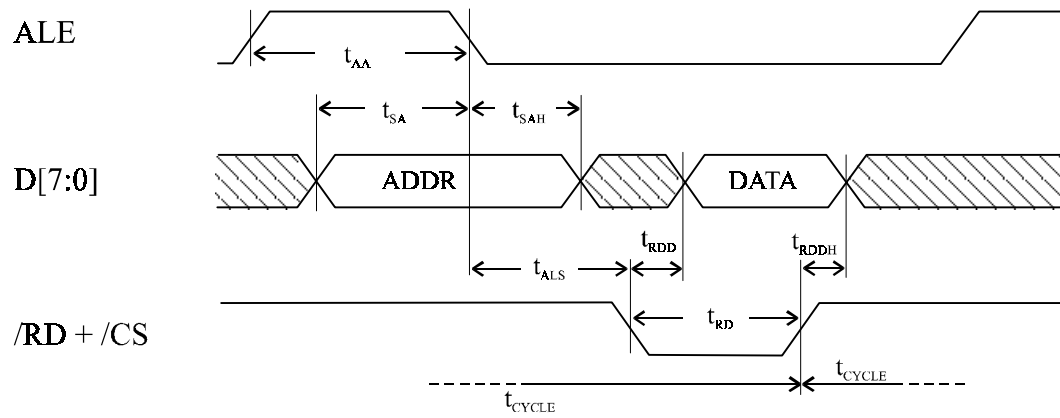


Timing diagram 4: Register write access in de-multiplexed Intel mode (mode 3)

SYMBOL	CHARACTERISTICS	MIN.	MAX.
t _{SA}	Address to /WR Low Setup Time	20ns	–
t _{SAH}	Address Hold Time after /WR High	20ns	–
t _{WR}	Write Time	50ns	∞
t _{WRDSU}	Write Data Setup Time to /WR High	30ns	∞
t _{WRDH}	Write Data Hold Time from /WR High	10ns	–
t _{CYCLE}	End of Write Data Cycle to Start of Next Read/Write Data Cycle Time	6x t _{CLKI}	∞

👉 hint!
 If the same register as in the last register read/write access is accessed the register address write is not required.

6.1.5 Register read access in multiplexed mode (mode 4)



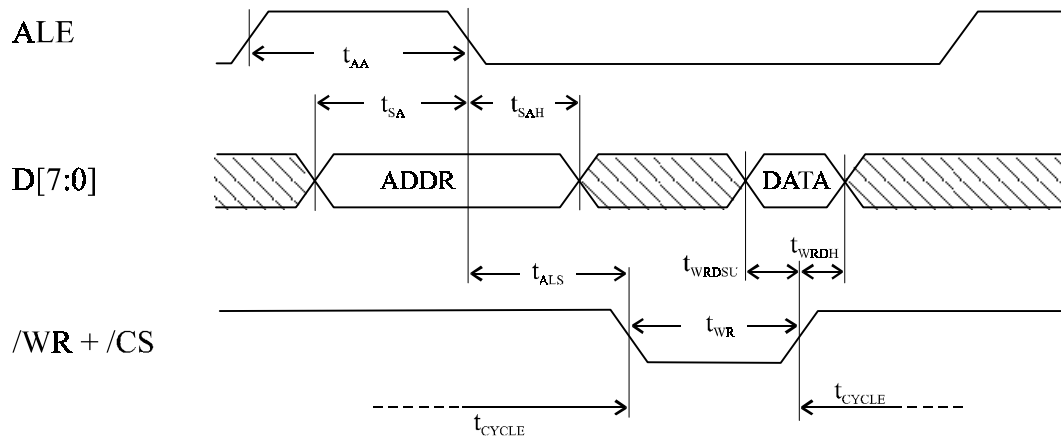
Timing diagram 5: Register read access in multiplexed mode (mode 4)

SYMBOL	CHARACTERISTICS	MIN.	MAX.
t _{RD}	Read Time	50ns	∞
t _{RDD}	/RD Low to Read Data Out Time	3ns	25ns
t _{RDDH}	/RD High to Data Buffer Turn Off Time	2ns	15ns
t _{SA}	Address to ALE Low Setup Time	20ns	–
t _{SAH}	Address Hold Time after ALE Low	20ns	–
t _{ALS}	ALE Low to /RD Low Setup Time	30ns	∞
t _{AA}	ALE Active Time	10ns	–
t _{CYCLE}	Read/Write Cycle	6 x t _{CLKI}	∞

👉 **important!**
A0 must be '0' during the whole register read cycle.

t_{CLKI} is the CLKI clock period.

6.1.6 Register write access in multiplexed mode (mode 4)



Timing diagram 6: Register write access in multiplexed mode (mode 4)

SYMBOL	CHARACTERISTICS	MIN.	MAX.
t _{WR}	Write Time	50ns	∞
t _{WRDSU}	Write Data Setup Time to /WR High	30ns	∞
t _{WRDH}	Write Data Hold Time from /WR High	10ns	–
t _{SA}	Address to ALE Low Setup Time	20ns	–
t _{SAH}	Address Hold Time after ALE Low	20ns	–
t _{ALS}	ALE Low to /WR Low Setup Time	30ns	∞
t _{AA}	ALE Active Time	10ns	–
t _{CYCLE}	Read/Write Cycle	6 x t _{CLKI}	∞

important!
A0 must be '0' during the whole register write cycle.

t_{CLKI} is the CLKI clock period.

6.2.1 Master mode

To configure the HFC-S mini as PCM/GCI/IOM2 bus master bit 0 of the MST_MODE0 register must be set. In this case C4IO and F0IO are outputs.

The PCM bit rate is configured by bits 5..4 of the MST_MODE1 register.

SYMBOL	CHARACTERISTICS		MIN.	TYP.	MAX.
tc	for 2Mb/s (PCM30)			122.07 ns	
	for 4Mb/s (PCM64)			61.035 ns	
	for 8Mb/s (PCM128)			30.518 ns	
tc4P	Clock C4IO period ^{*)}		2 tc - 26ns	2 tc	2 tc + 26ns
tc4H	Clock C4IO High Width ^{*)}		tc - 26ns	tc	tc + 26ns
tc4L	Clock C4IO Low Width ^{*)}		tc - 26ns	tc	tc + 26ns
tc2P	Clock C2O Period		4 tc - 52ns	4 tc	4 tc + 52ns
tc2H	Clock C2O High Width		2 tc - 26ns	2 tc	2 tc + 26ns
tc2L	Clock C2O Low Width		2 tc - 26ns	2 tc	2 tc + 26ns
tF0iW	F0IO Width	Short F0IO	2 tc - 6ns	2 tc	2 tc + 6ns
		Long F0IO	4 tc - 6ns	4 tc	4 tc + 6ns
tSToD	STIO1/2 Delay fom C4IO ↓ Level 1 Output			10 ns	25 ns
tF0iCYCLE	F0IO Cycle Time	1 half clock adjust	124.975 us	125.000 us	125.025 us
		2 half clocks adjust	124.950 us	125.000 us	125.050 us
		3 half clocks adjust	124.925 us	125.000 us	125.075 us
		4 half clocks adjust	124.900 us	125.000 us	125.100 us

All specifications are for $f_{CLK} = 24.576$ MHz.

^{*)} Time depends on accuracy of CLKI frequency. Because of clock adjustment in the 31st time slot these are the worst case timings when C4IO is adjusted.

6.2.2 Slave mode

To configure the HFC-S mini as PCM/GCI/IOM2 bus slave bit 0 of the MST_MODE0 register must be cleared. In this case C4IO and F0IO are inputs.

SYMBOL	CHARACTERISTICS	MIN.	TYP.	MAX.
t _c	for 2Mb/s (PCM30)		122.07 ns	
	for 4Mb/s (PCM64)		61.035 ns	
	for 8Mb/s (PCM128)		30.518 ns	
t _{C4P}	Clock C4IO period ^{*)}		2 t _c	
t _{C4H}	Clock C4IO High Width	20 ns		
t _{C4L}	Clock C4IO Low Width	20 ns		
t _{C2P}	Clock C2O Period ^{*)}		4 t _c	
t _{C2H}	Clock C2O High Width	25 ns		
t _{C2L}	Clock C2O Low Width	25 ns		
t _{F0iS}	F0IO Setup Time to C4IO ↓	20 ns		
t _{F0iH}	F0IO Hold Time after C4IO ↓	20 ns		
t _{F0iW}	F0IO Width	40 ns		
t _{STiS}	STIO2 Setup Time	20 ns		
t _{STiH}	STIO2 Hold Time	20 ns		

All specifications are for f_{CLK} = 24.576 MHz.

^{*)} If the S/T interface is synchronized from C4IO (NT mode) the frequency must be stable to ± 10⁻⁴.

7 External circuitries

7.1 S/T interface circuitry

In order to comply to the physical requirements of ITU-T recommendation I.430 and considering the national requirements concerning overvoltage protection and electromagnetic compatibility (EMC), the HFC-S mini needs some additional circuitry, which are shown in the following figures.

7.1.1 External receiver circuitry

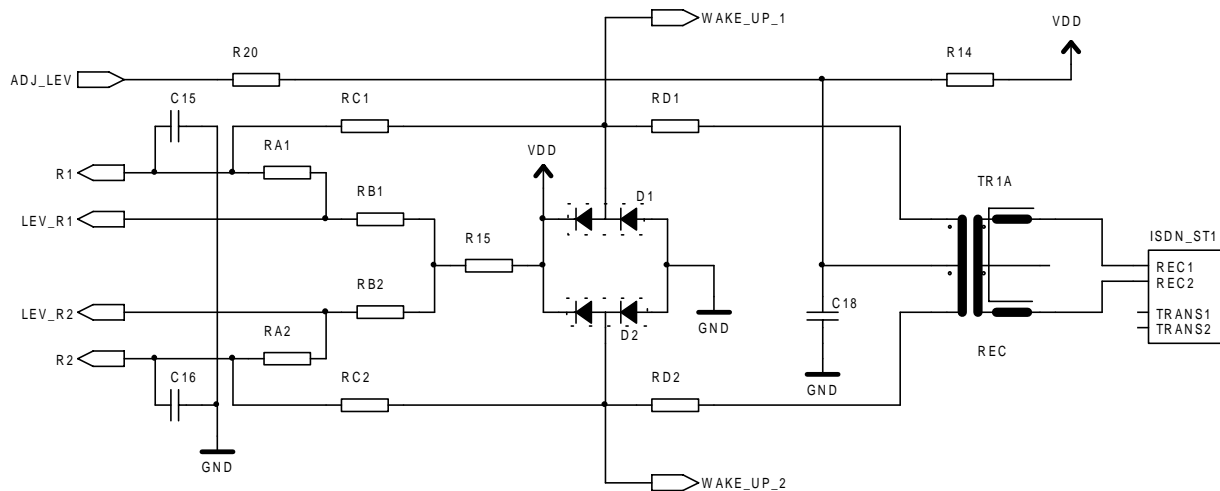


Figure 10: External receiver circuitry

WAKE_UP_1 and WAKE_UP_2 are for connection of the wake up circuitry (see: 7.1.2 External wake-up circuitry).

C15 and C16 are for reduction of high frequency input noise and should be placed as close as possible to the HFC-S mini.

Part list

VDD	3.3V	5V	VDD	3.3V	5V
C15		22pF	RD1		4k7
C16		22pF	RC1		4k7
C18		47nF	RD2		4k7
D2		BAV99	RC2		4k7
D1		BAV99	R14	680k	1M
ISDN_ST1		ISDN Connector	R15	1M2	1M8
RA2		100k	R20		3k9
RA1		100k	TR1A		S/T Module (see Table 4 on page 63)
RB1		33k			
RB2		33k			

7.1.2 External wake-up circuitry

The wake-up circuitry is optional. It enables the HFC-S mini to wake up by incoming INFOx (non INFO0) signals on the S/T interface.

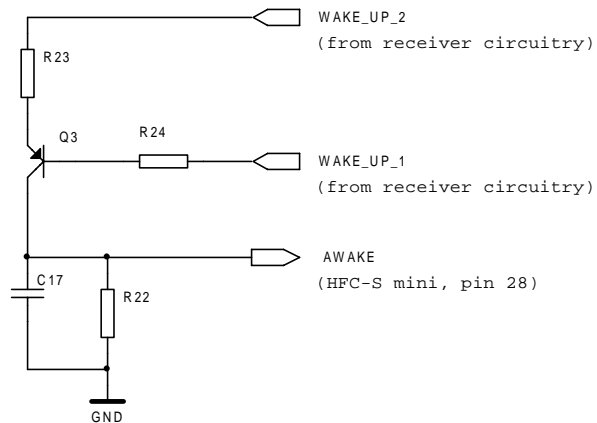


Figure 11: External wake-up circuitry

WAKE_UP_1 and WAKE_UP_2 are inputs from the receiver circuitry (see also: 7.1.1 External receiver circuitry).

Part List

Part	Value
C17	100pF
Q3	BC860C
R22	4M7
R23	10k
R24	100k

7.1.3 External transmitter circuitry

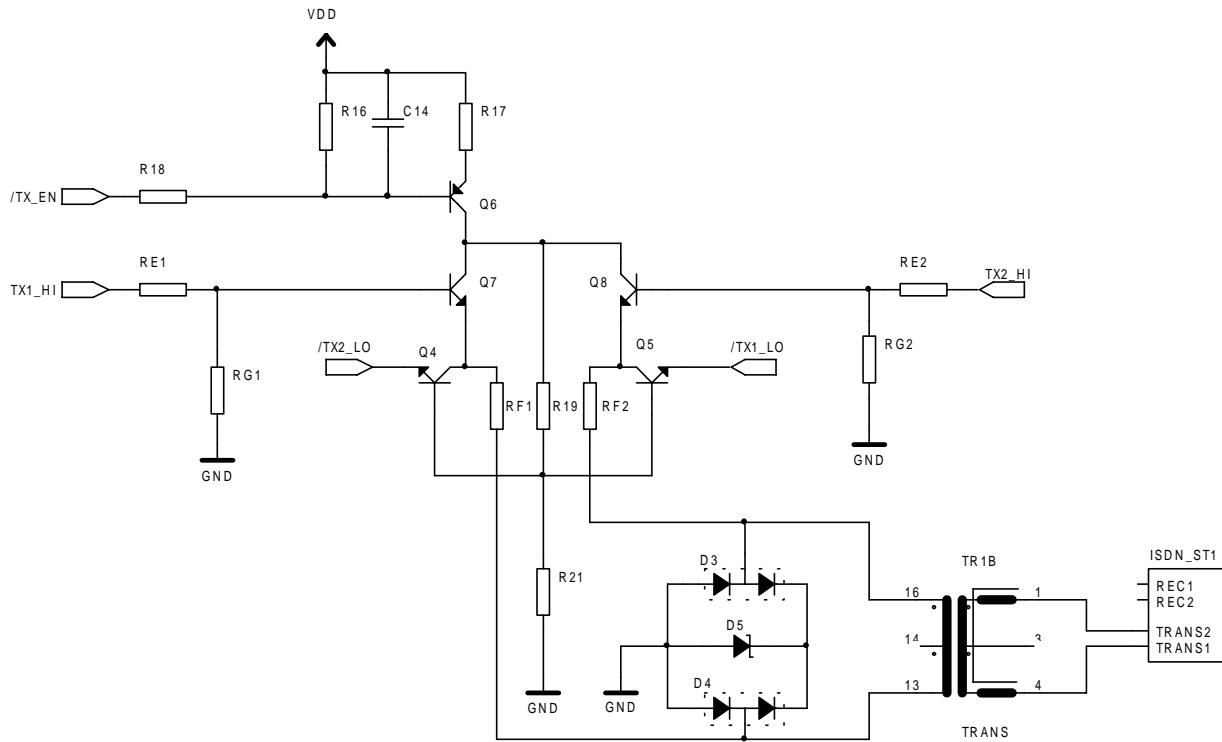


Figure 12: External transmitter circuitry

Part List

	VDD	3.3V	5V		VDD	3.3V	5V
C14			470pF	RF1		18 ^{*)}	
D3			BAV99	RF2		18 ^{*)}	
D4			BAV99	RG1		3k9 ± 1%	3k ± 1%
D5			2V7	RG2		3k9 ± 1%	3k ± 1%
ISDN_ST1			ISDN Connector	R16		2k2	3k3
Q4			BC850C	R21		2k2	
Q5			BC850C	R17		50	100
Q7			BC850C	R18		3k3	5k6
Q8			BC850C	R19		1k8	3k3
Q6			BC860C	TR1B		S/T Module (see Table 4 on page 63)	
RE1		560 ± 1%	2k2 ± 1%				
RE2		560 ± 1%	2k2 ± 1%				

^{*)} value is depending on the used S/T module

S/T module part number	manufacturer
APC 56624-1 APC 40495S (SMD) S-Hybrid modules with receiver and transmitter circuitry included: APC 5568-3V APC 5568-5V APC 5568DS-3V APC 5568DS-5V	Advanced Power Components <i>United Kingdom</i> Phone: +44 1634-290588 Fax: +44 1634-290591 http://www.apcisdn.com
FE 8131-55Z	FEE GmbH <i>Singapore</i> Phone: +65 741-5277 Fax: +65 741-3013 <i>Bangkok</i> Phone: +662 718-0726-30 Fax: +662 718-0712 <i>Germany</i> Phone: +49 6106-82980 Fax: +49 6106-829898
transformers: PE-64995 PE-64999 PE-65795 (SMD) PE-65799 (SMD) PE-68995 PE-68999 T5006 (SMD) T5007 (SMD) S ₀ -modules: T5012 T5034 T5038	Pulse Engineering, Inc. <i>United States</i> Phone: +1-619-674-8100 Fax: +1-619-674-8262 http://www.pulseeng.com
transformers: SM TC-9001 SM ST-9002 SM ST-16311F S ₀ -modules: SM TC-16311 SM TC-16311A	Sun Myung <i>Korea</i> Phone: +82-348-943-8525 Fax: +82-348-943-8527 http://www.sunmyung.com
transformers UT21023 S ₀ -modules: UT 20795 (SMD) UT 21624 UT 28624 A	UMEC GmbH <i>Germany</i> Phone: +49 7131-7617-0 Fax: +49 7131-7617-20 <i>Taiwan</i> Phone: +886-4-359-009-6 Fax: +886-4-359-012-9 <i>United States</i> Phone: +1-310-326-707-2 Fax: +1-310-326-705-8 http://www.umec.de

S/T module part number	manufacturer
T 6040... transformers: 3-L4021-X066 3-L4025-X095 3-L5024-X028 3-L4096-X005 3-L5032-X040 S ₀ -modules: 7-L5026-X010 (SMD) 7-L5051-X014 7-M5051-X032 7-L5052-X102 (SMD) 7-M5052-X110 7-M5052-X114	VAC GmbH <i>Germany</i> Phone: +49 6181/ 38-0 Fax: +49 6181/ 38-2645 http://www.vacuumschmelze.de
transformers: ST5069 S ₀ -modules: PT5135 ST5201 ST5202	Valor Electronics, Inc. <i>Asia</i> Phone: +852 2333-0127 Fax: +852 2363-6206 <i>North America</i> Phone: +1 800 31VALOR Fax: +1 619 537-2525 <i>Europe</i> Phone: +44 1727-824-875 Fax: +44 1727-824-898 http://www.valorinc.com
543 76 009 00 503 740 010 0 (SMD)	Vogt electronic AG <i>Germany</i> Phone: +49 8591/ 17-0 Fax: +49 8591/ 17-240 http://www.vogt-electronic.com

Table 4: S/T module part numbers and manufacturers

7.2 Oscillator circuitry for S/T clock

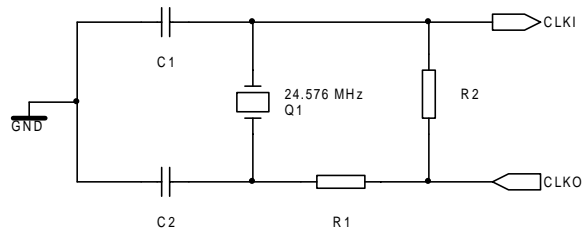


Figure 13: Oscillator circuitry for S/T clock

Part List

Name	Value
R1	330
R2	1 M
C1	47 pF
C2	47 pF
Q1	24.576 MHz quartz

The values of C1, C2 and R1, R2 depend on the used quartz.

For a load-free check of the oscillator frequency the C4O clock of the PCM/GCI/IOM2 bus should be measured (HFC-S mini as master, S/T interface deactivated, 4.096 MHz frequency intended on the C4IO).

8 State matrices for NT and TE

8.1 S/T interface activation/deactivation layer 1 for finite state matrix for NT

Event	State name	Reset	Deactive	Pending activation	Active	Pending deactivation
	State number	G0	G1	G2	G3	G4
	INFO sent	INFO 0	INFO 0	INFO 2	INFO 4	INFO 0
State machine release (Note 3)		G1				
Activate request		G2 (Note 1)	G2 (Note 1)			G2 (Note 1)
Deactivate request		—		Start timer T2 G4	Start timer T2 G4	
Expiry T2 (Note 2)		—	—	—	—	G1
Receiving INFO 0		—	—	—	G2	G1
Receiving INFO 1		—	G2 (Note 1)	—	/	—
Receiving INFO 3		—	/	G3 (Note 1) (Note 4)	—	—

Table 5: Activation/deactivation layer 1 for finite state matrix for NT

— No state change

/ Impossible by the definition of peer-to-peer physical layer procedures or system internal reasons

| Impossible by the definition of the physical layer service

Note 1: Timer 1 (T1) is not implemented in the HFC-S mini and must be implemented in software.

Note 2: Timer 2 (T2) prevents unintentional reactivation. Its value is 32ms (256 x 125µs). This implies that a TE has to recognize INFO 0 and to react on it within this time.

Note 3: After reset the state machine is fixed to G0.

Note 4: Bit 7 of the STATES register must be set to allow this transition.

8.2 Activation/deactivation layer 1 for finite state matrix for TE

		State name	Reset	Sensing	Deactivated	Awaiting signal	Identifying input	Synchronized	Activated	Lost framing
		State number	F0	F2	F3	F4	F5	F6	F7	F8
Event	Info sent	INFO 0	INFO 0	INFO 0	INFO 1	INFO 0	INFO 3	INFO 3	INFO 0	
State machine release (Note 1)		F2	/	/	/	/	/	/	/	/
Activate Request	Receiving any signal	—		F5			—		—	
	Receiving INFO 0	—		F4			—		—	
Expiry T3 (Note 5)		—	/	—	F3	F3	F3	—	—	
Receiving INFO 0		—	F3	—	—	—	F3	F3	F3	
Receiving any signal (Note 2)		—	—	—	F5	—	/	/	—	
Receiving INFO 2 (Note 3)		—	F6	F6	F6	F6	—	F6	F6	
Receiving INFO 4 (Note 3)		—	F7	F7	F7	F7	F7	—	F7	
Lost framing (Note 4)		—	/	/	/	/	F8	F8	—	

Table 6: Activation/deactivation layer 1 for finite state matrix for TE

- No change, no action
- | Impossible by the definition of the layer 1 service
- / Impossible situation

Notes

Note 1: After reset the state machine is fixed to F0.

Note 2: This event reflects the case where a signal is received and the TE has not (yet) determined whether it is INFO 2 or INFO 4.

Note 3: Bit- and frame-synchronisation achieved.

Note 4: Loss of Bit- or frame-synchronisation.

Note 5: Timer 3 (T3) is not implemented in the HFC-S mini and must be implemented in software.

9 Binary organisation of the frames

9.1 S/T frame structure

The frame structures on the S/T interface are different for each direction of transmission. Both structures are illustrated in Figure 14.

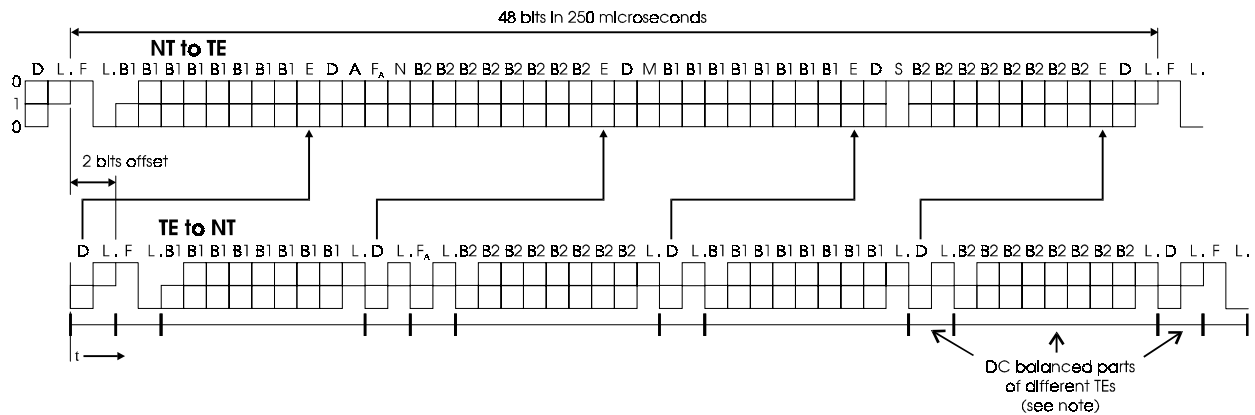


Figure 14: Frame structure at reference point S and T

F	Framing bit	N	Bit set to a binary value $N = \bar{F}_A$ (NT to TE)
L	D.C. balancing bit	B1	Bit within B-channel 1
D	D-channel bit	B2	Bit within B-channel 2
E	D-echo-channel bit	A	Bit used for activation
F_A	Auxiliary framing bit	S	S-channel bit
M	Multiframing bit		

note!
 Lines demarcate those parts of the frame that are independently d.c.-balanced.
 The F_A bit in the direction TE to NT is used as Q bit in every fifth frame if S/Q bit transmission is enabled (see SCTRL register).
 The nominal 2-bit offset is as seen from the TE. The offset can be adjusted with the CLKDEL register in TE mode. The corresponding offset at the NT may be greater due to delay in the interface cable and varies by configuration.
 HDLC-B-channel data start with the LSB, PCM-B-channel data start with the MSB.

9.2 GCI frame structure

The binary organisation of a single GCI channel frame is described below. C4IO clock frequency is 4096kHz.

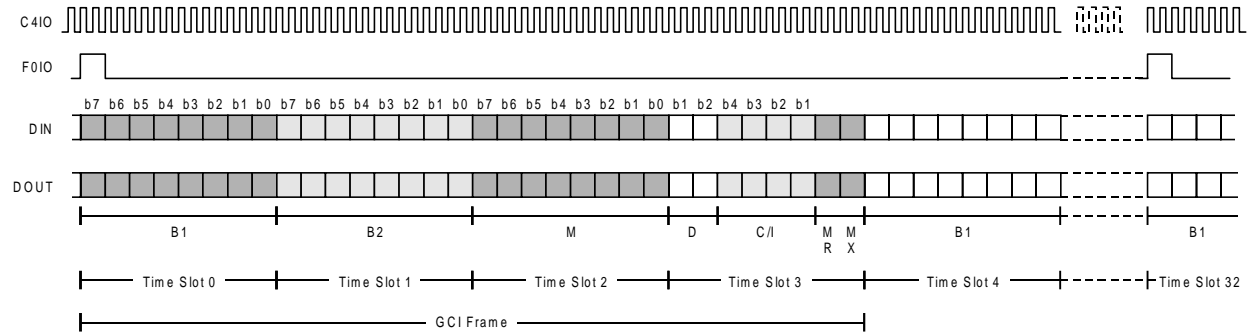


Figure 15: Single channel GCI format

- B1 B-channel 1 data
- B2 B-channel 2 data
- M Monitor channel data
- D D-channel data
- C/I Command/indication bits for controlling activation/deactivation and for additional control functions
- MR Handshake bit for monitor channel
- MX Handshake bit for monitor channel

10.2 Clock synchronisation in TE-mode

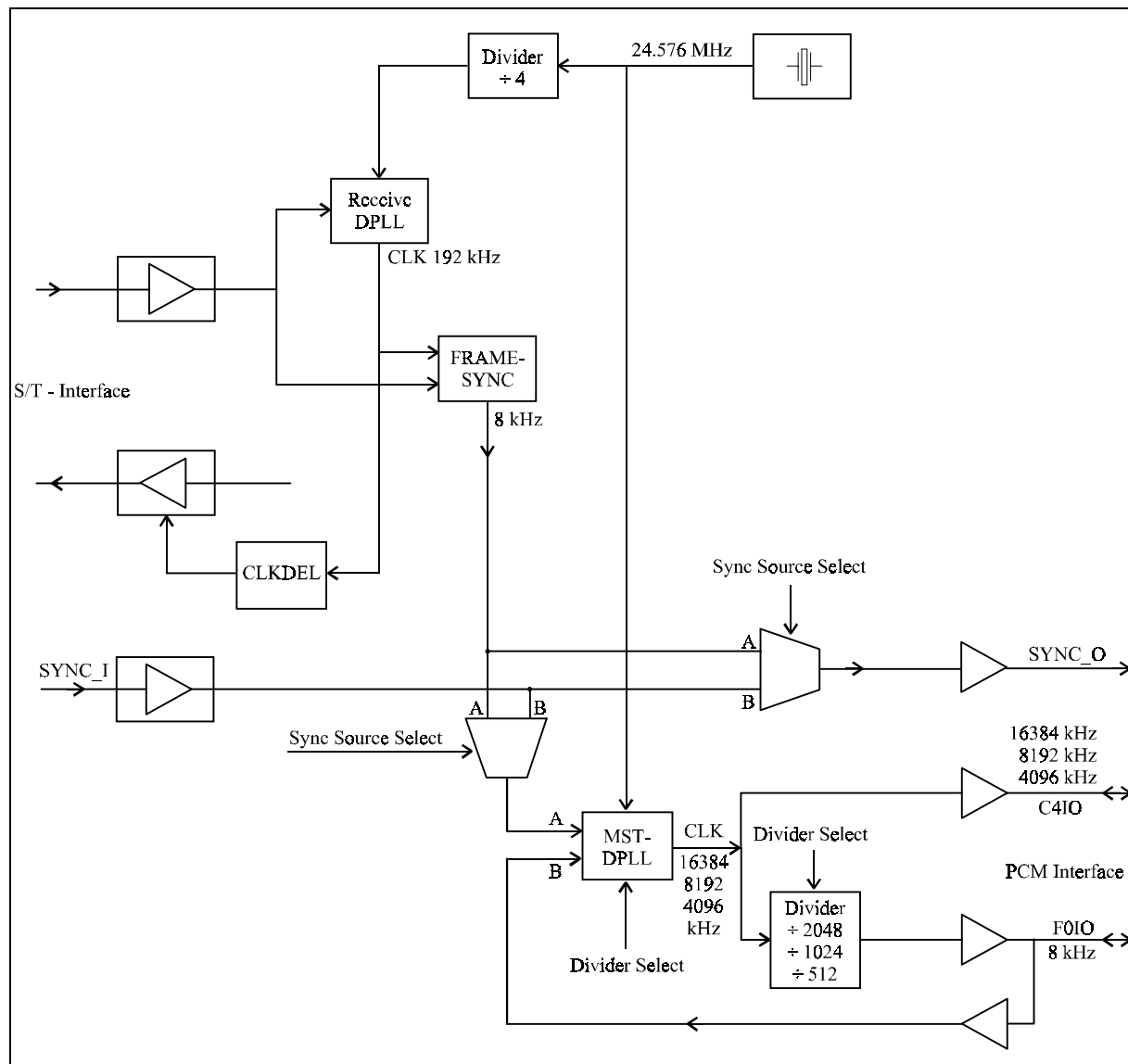


Figure 17: Clock synchronisation in TE-mode

The C4IO clock is adjusted in the 31th time slot at the GCI/IOM bus 1.4 times for one half clock cycle. This can be reduced to one adjustment of a half clock cycle (see MST_MODE1 register). This is useful if another HFC series ISDN controller is connected as slave in NT mode to the PCM bus.

The SYNC source can be selected by the MST_MODE2 register settings.

10.3 Multiple HFC-S mini SYNC scheme

The SYNC scheme for multiple HFC-S mini ISDN controllers is shown in the figure below. The SYNC source of the whole system can be selected by software (see also: MST_MODE2 register bit description).

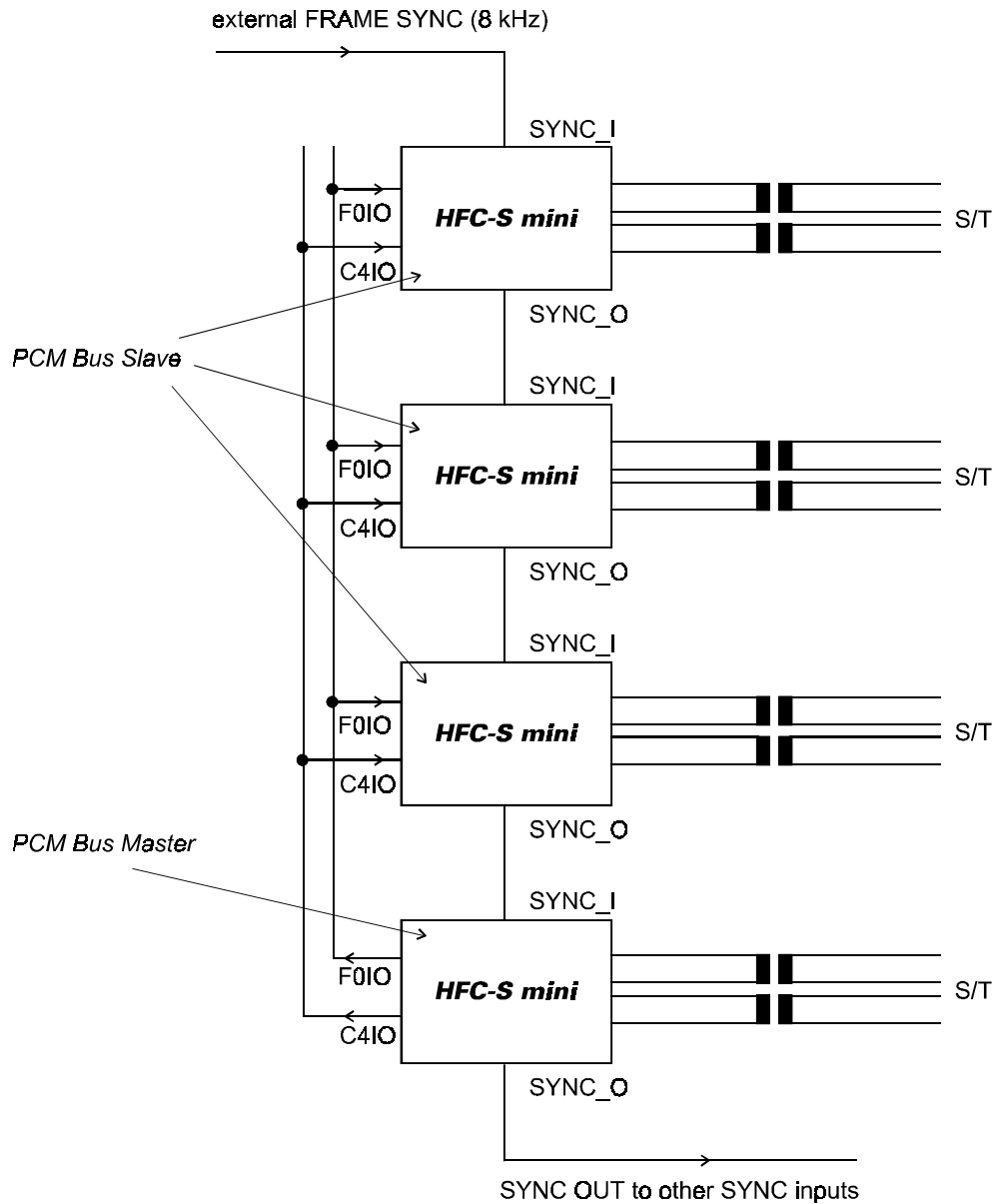
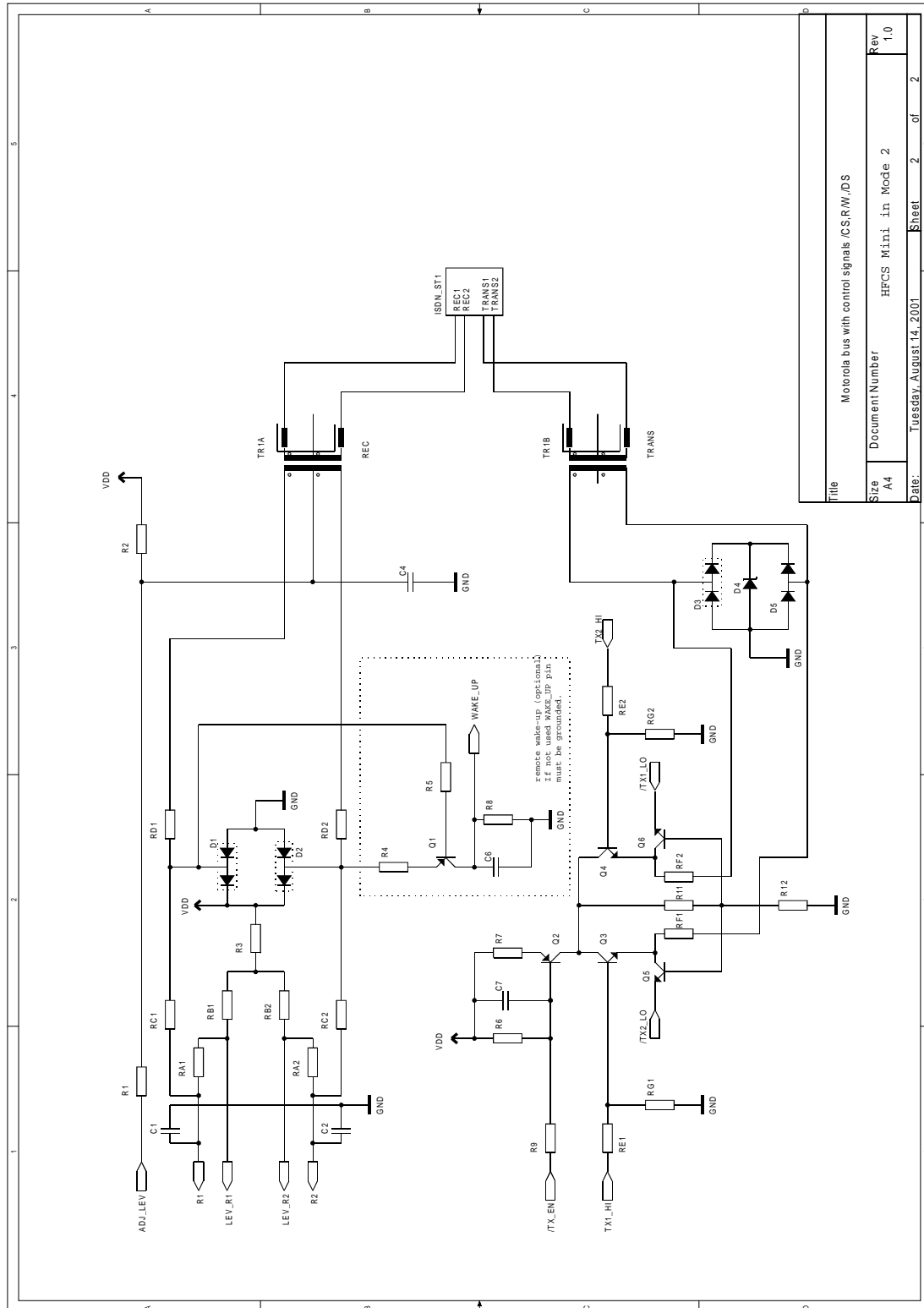
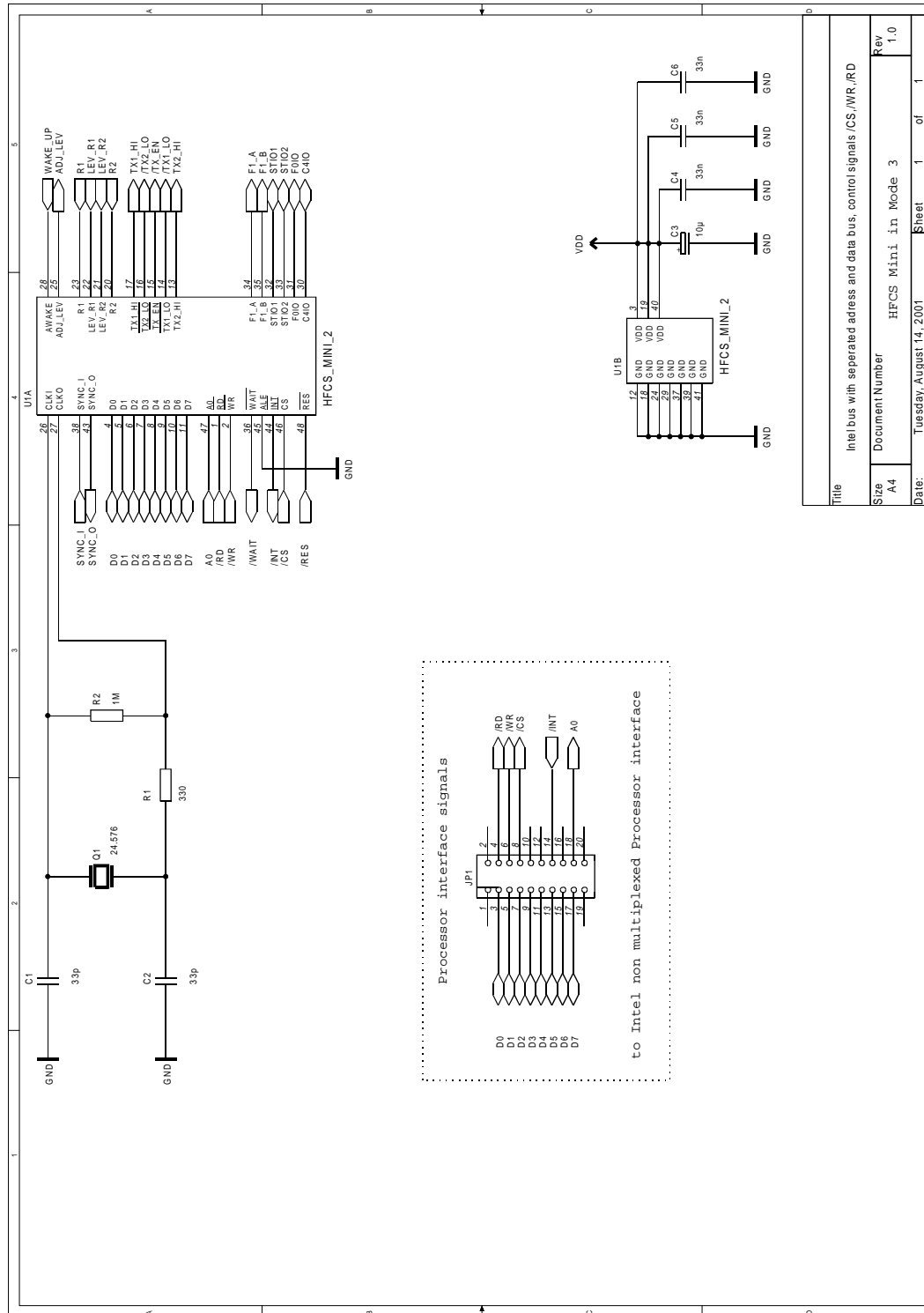


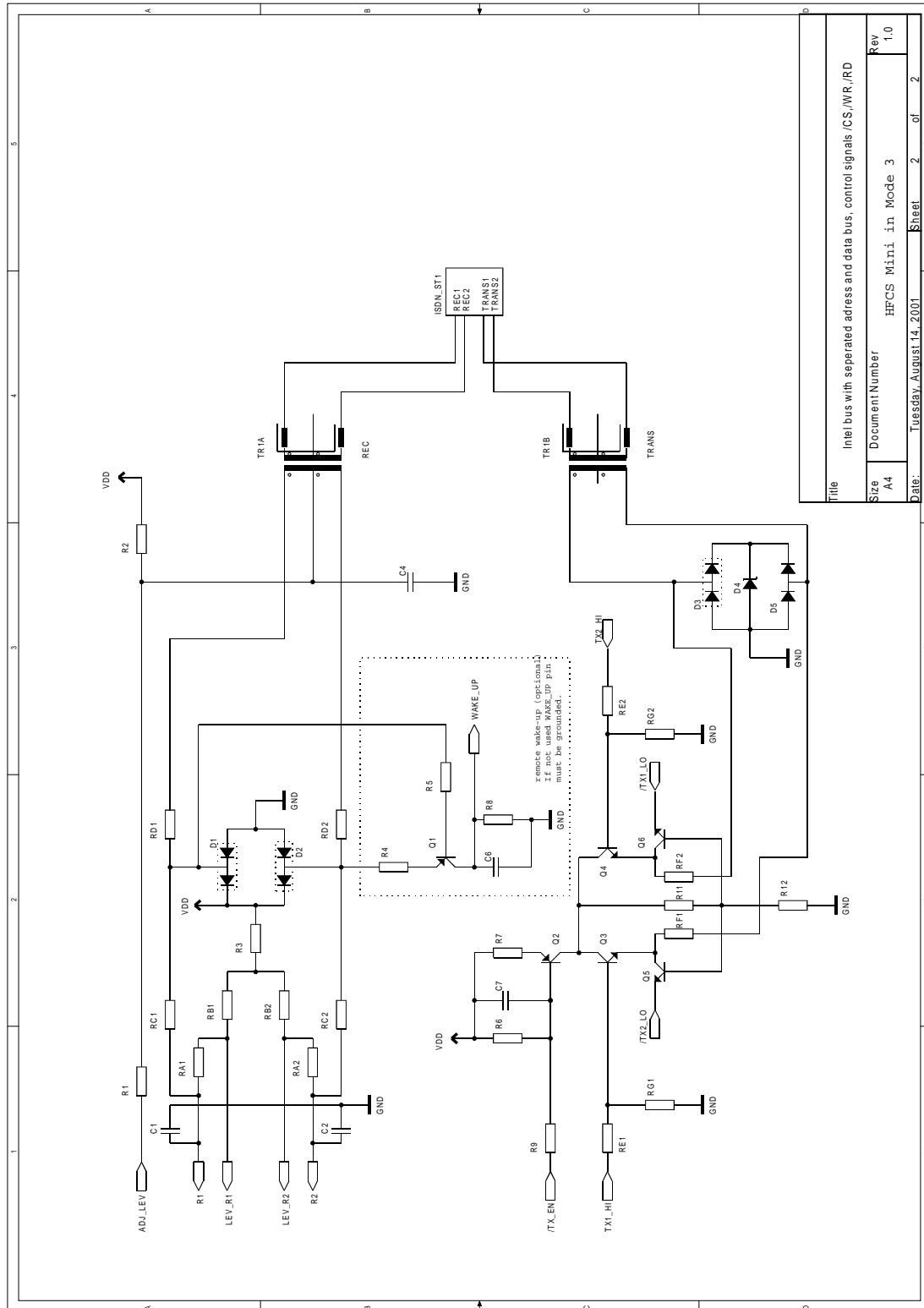
Figure 18: Multiple HFC-S mini SYNC scheme



12.2 HFC-S mini in mode 3 (Intel bus with separated address bus/data bus)

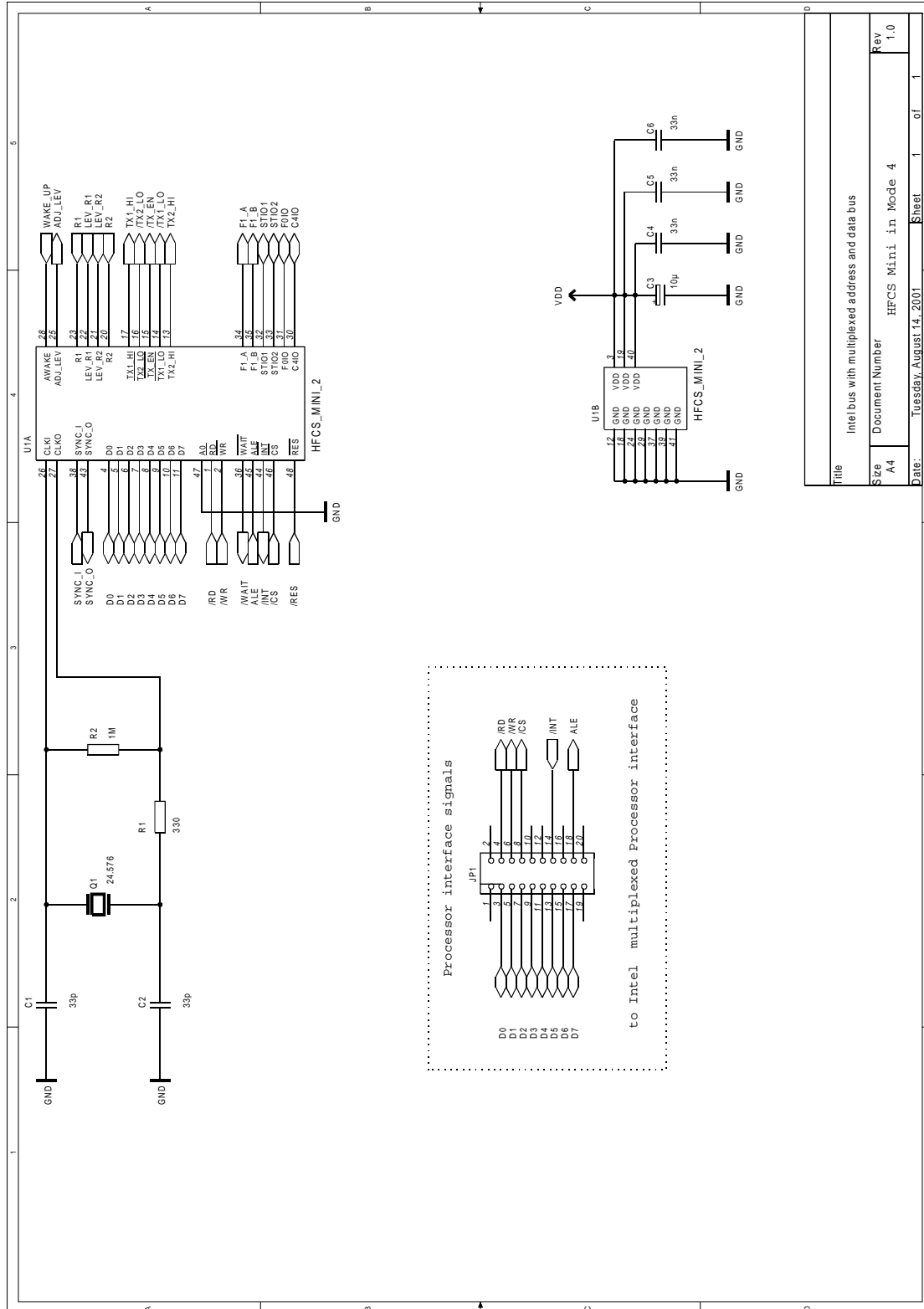


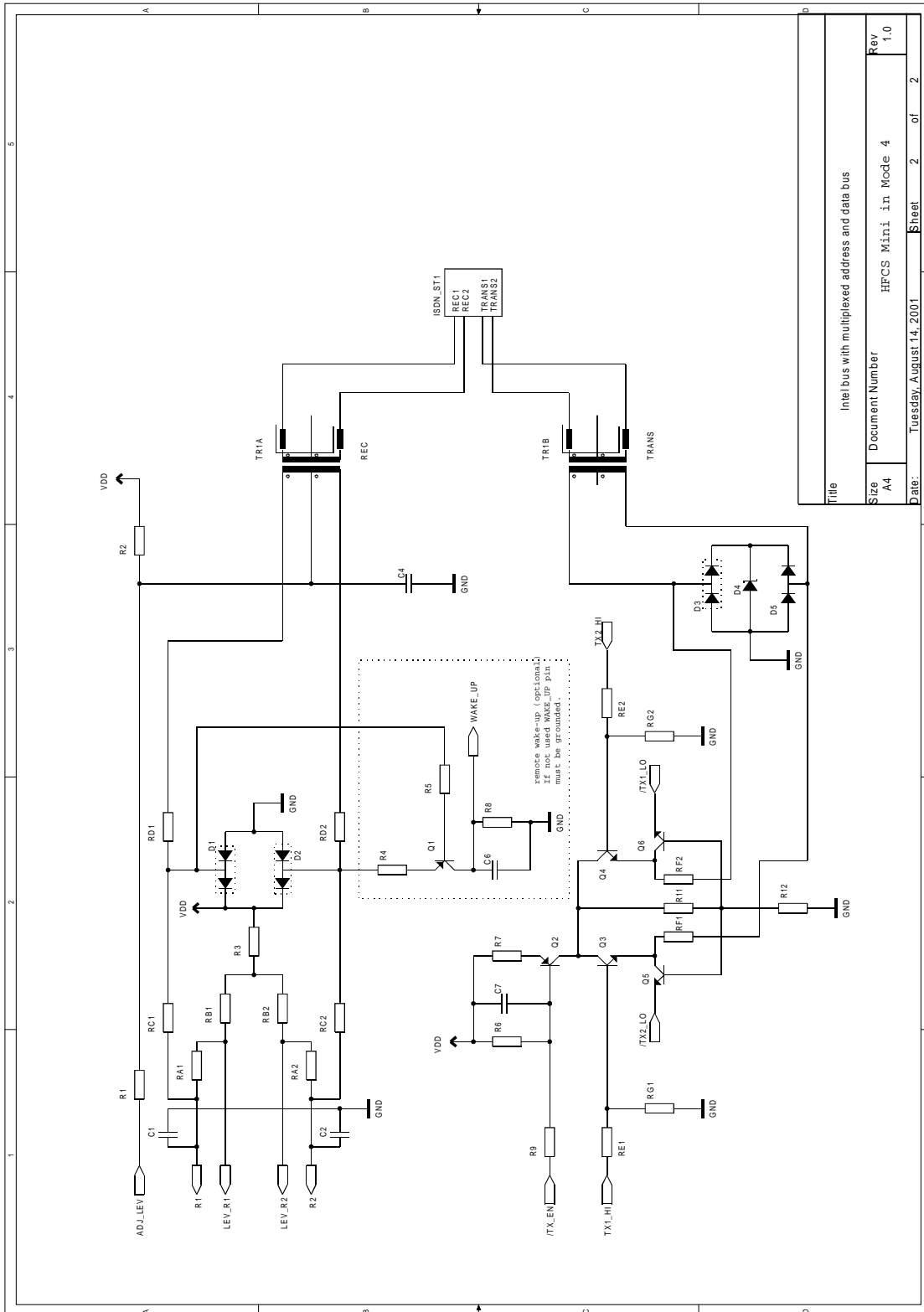
Title	Intel bus with separated address and data bus, control signals /CS, /WR, /RD
Size	A4
Document Number	HFC5 Mini in Mode 3
Rev	1.0
Date:	Tuesday, August 14, 2001
Sheet	1 of 5



Title		Intel bus with separated address and data bus, control signals /CS /WR /RD		
Size	Document Number	HFC-S Mini in Mode 3	Rev	1.0
A4	Date:	Tuesday, August 14, 2001	Sheet	2 of 2

12.3 HFC-S mini in mode 4 (Intel bus with multiplexed address bus/data bus)





Title		Intel bus with multiplexed address and data bus	
Size	Document Number	HFC-S Mini in Mode 4	Rev
A4			1.0
Date:	Tuesday, August 14, 2001	Sheet	2 of 2