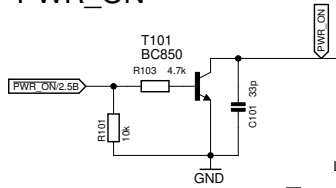
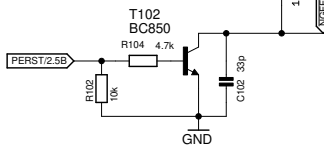


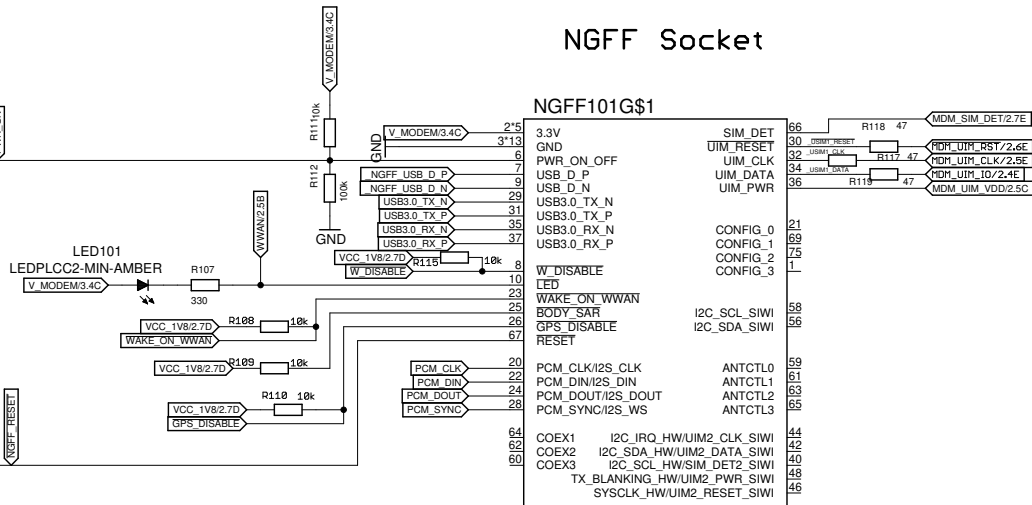
PWR_ON



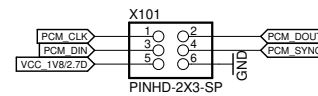
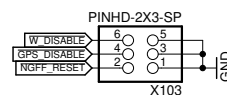
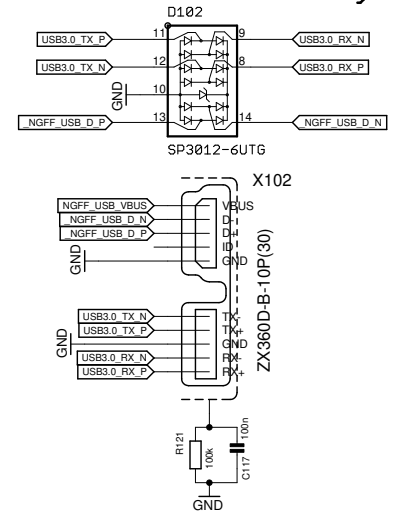
NGFF reset



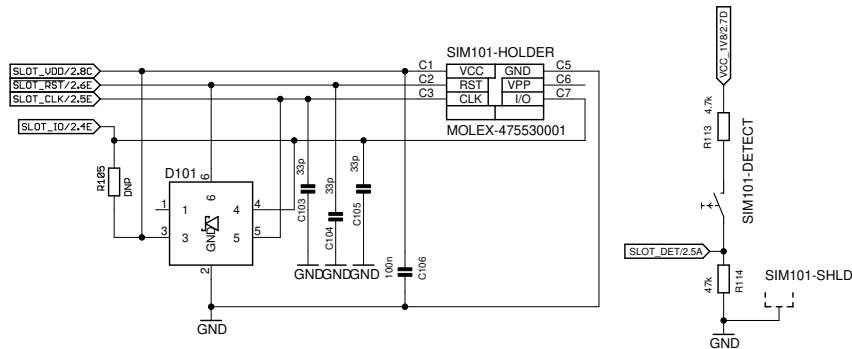
NGFF Socket



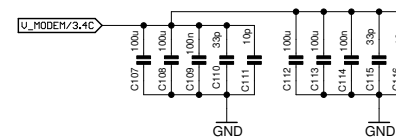
USB3 conn + TUS array



SIM Slot



Blocking Capacitors

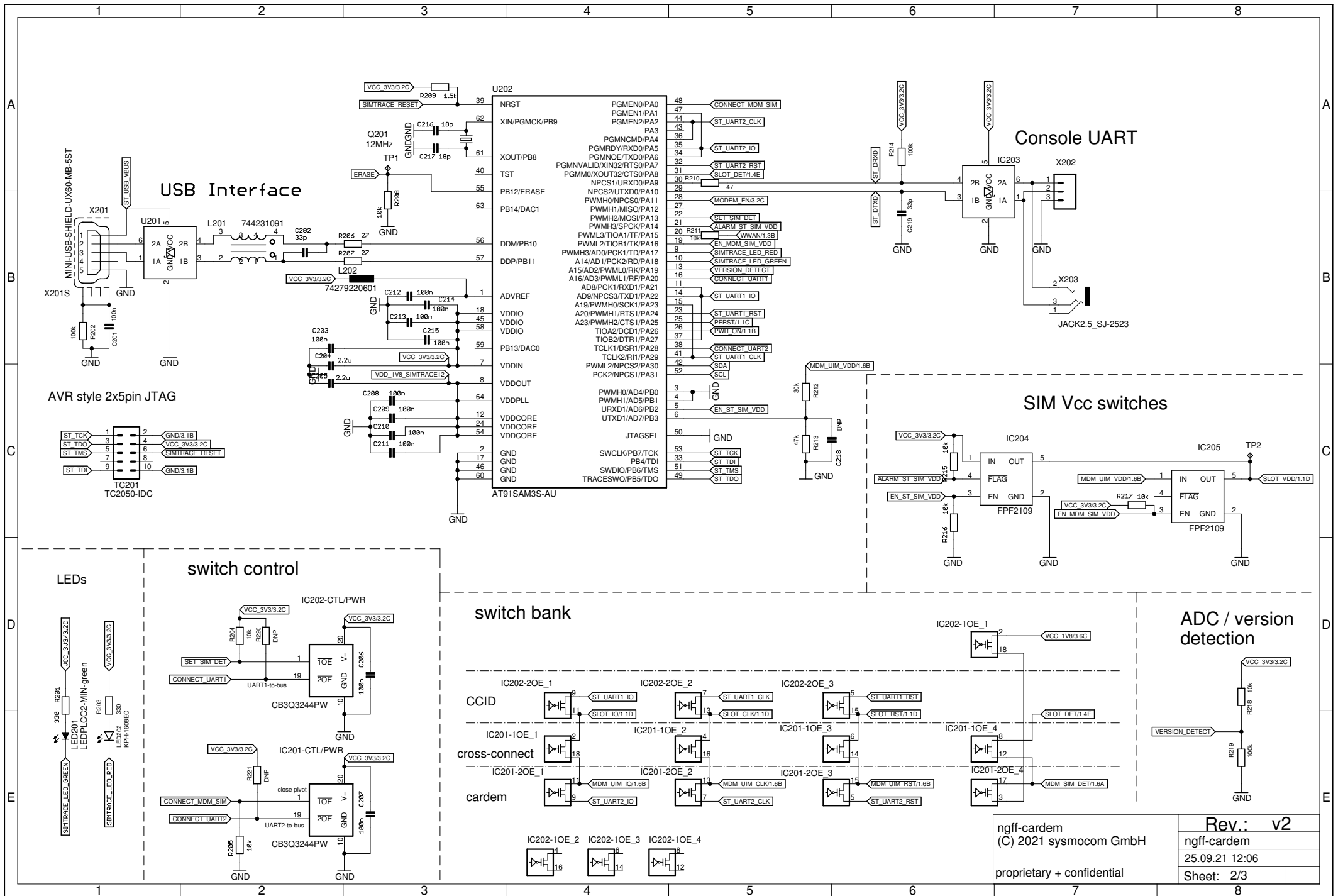


mech parts



ngff-cardem
(C) 2021 systocom GmbH
proprietary + confidential

v2
ngff-cardem
25.09.21 12:06
Sheet: 1/3

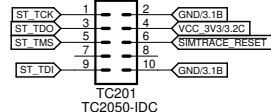


Console UART

SIM Vcc switches

USB Interface

AVR style 2x5pin JTAG



LEDs

switch control

switch bank

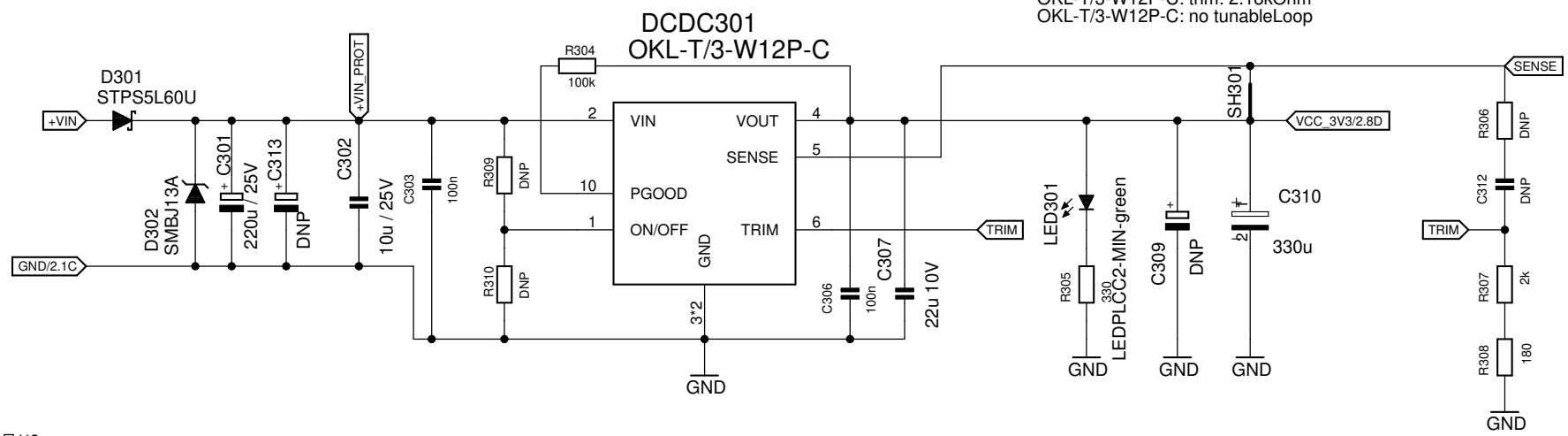
ADC / version detection

ngff-cardem
 (C) 2021 systocom GmbH
 proprietary + confidential

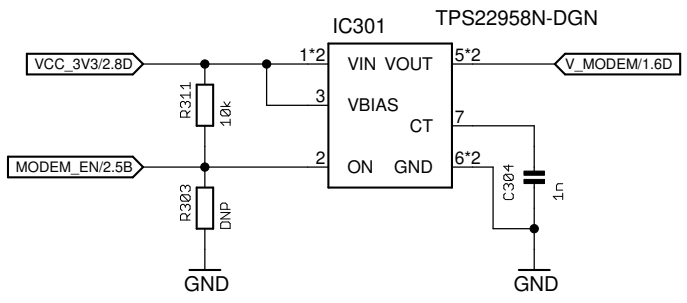
Rev.: v2
ngff-cardem
25.09.21 12:06
Sheet: 2/3

3.3V DC/DC converter

PVX003A0X3-SRZ: trim: 4.44kOhm
 PVX003A0X3-SRZ: tunableLoop: R=180R; C=8200p
 (max. dVout: 50mV; max. dIout: 2,5A)
 OKL-T/3-W12P-C: trim: 2.18kOhm
 OKL-T/3-W12P-C: no tunableLoop



modem load switch



LDO 1V8

