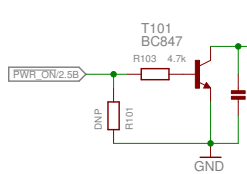
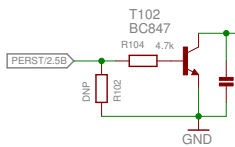


### PWR\_ON

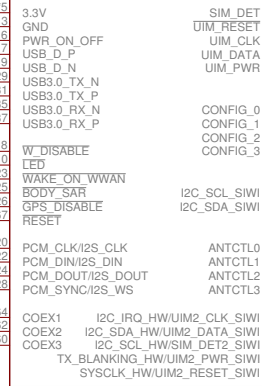


### NGFF reset

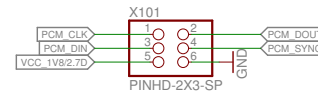
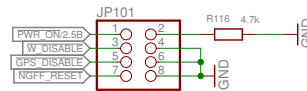
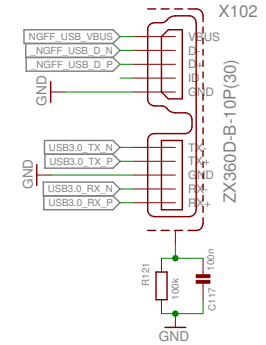
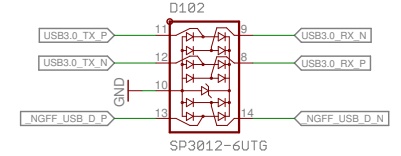


### NGFF Socket

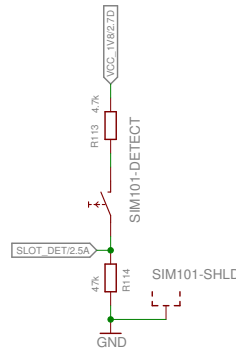
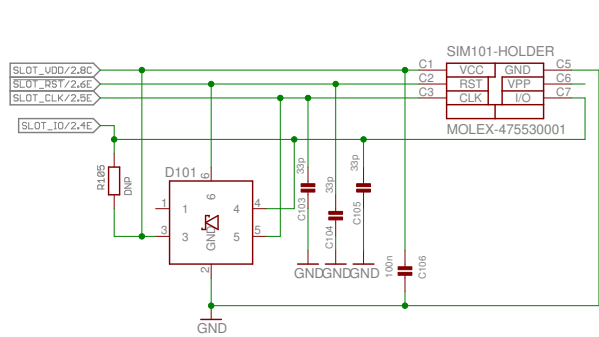
#### NGFF101G51



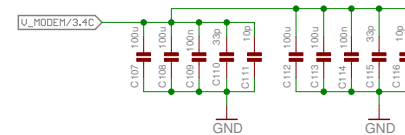
### USB3 conn + TUS array



### SIM Slot



### Blocking Capacitors



### mech parts



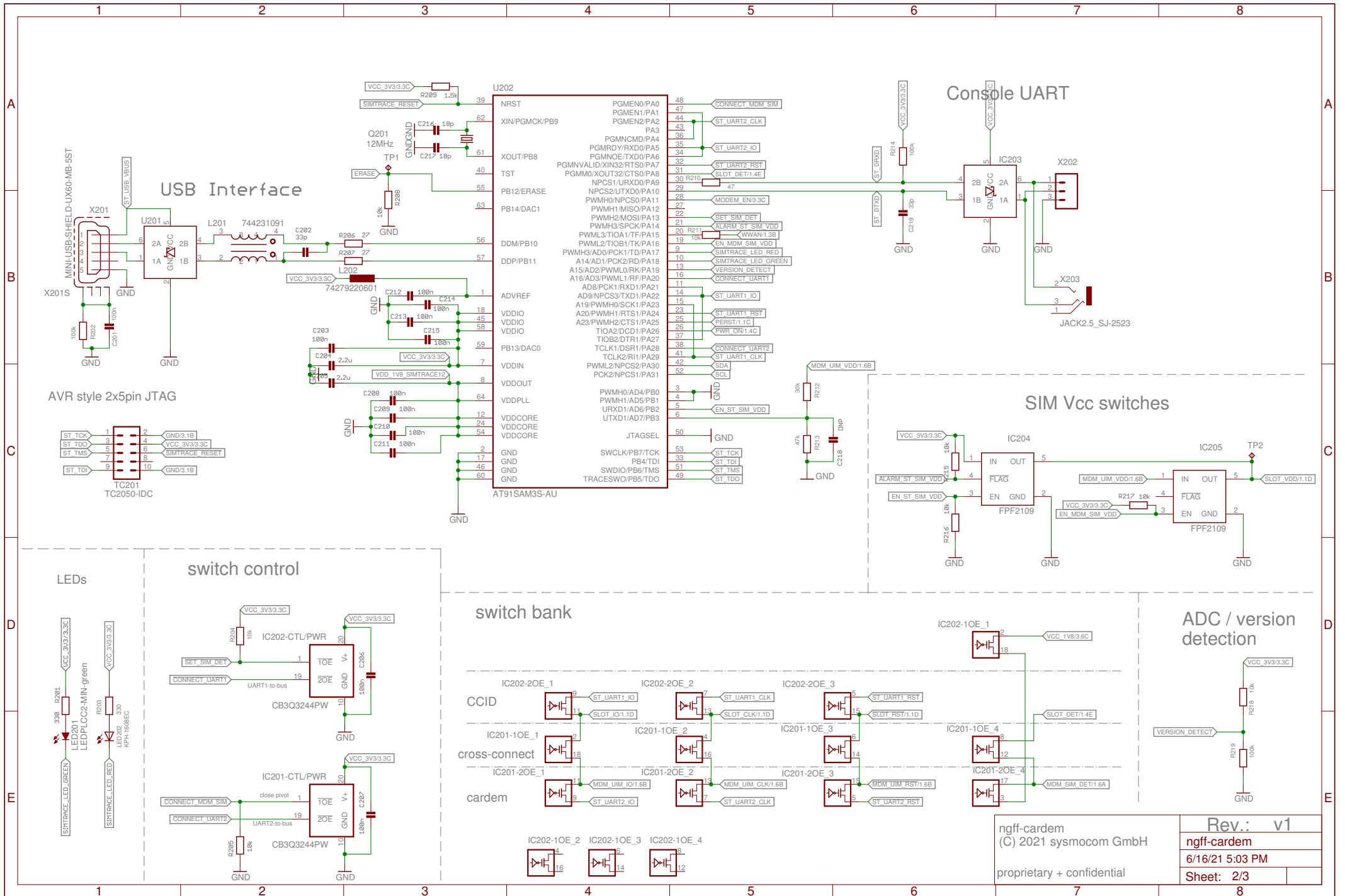
ngff-cardem  
(C) 2021 sysmocom GmbH

proprietary + confidential

v1

ngff-cardem  
6/16/21 5:03 PM

Sheet: 1/3

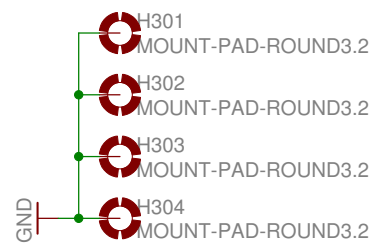
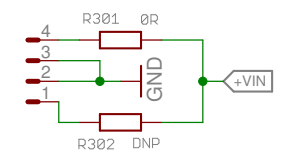
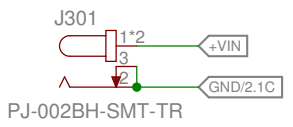
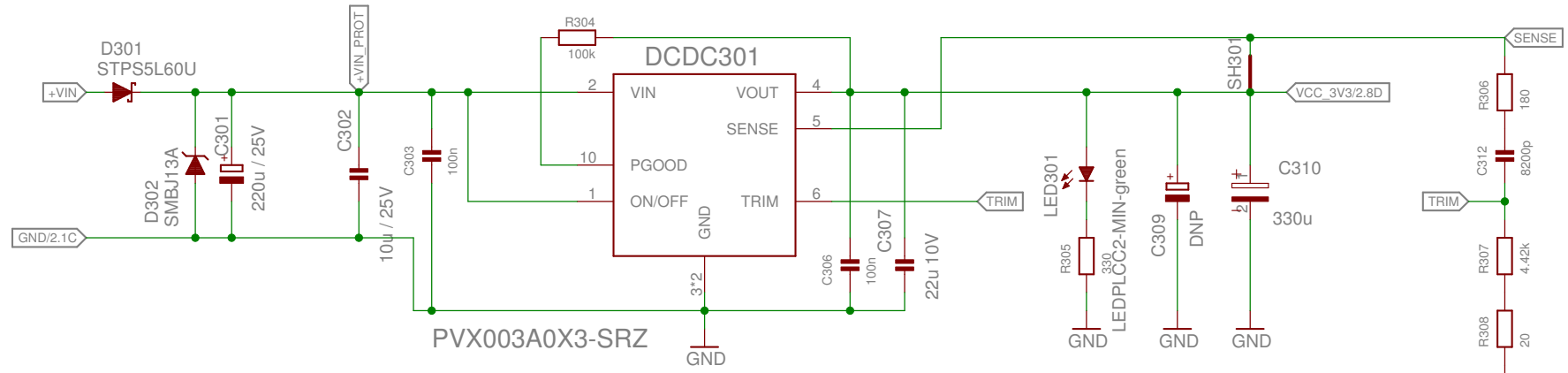


ngff-cardem (C) 2021 systocom GmbH proprietary + confidential	<b>Rev.: v1</b> ngff-cardem 6/16/21 5:03 PM Sheet: 2/3
---	---

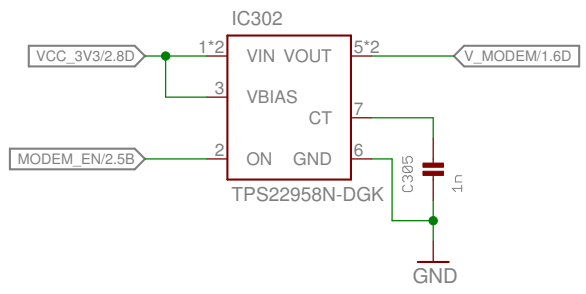
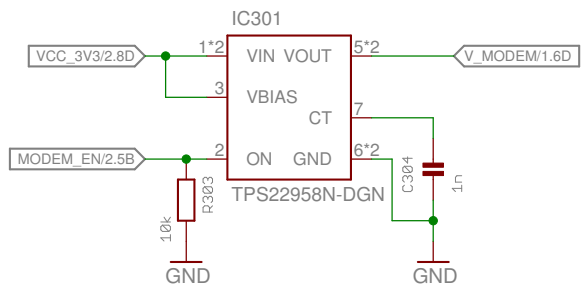
# 3.3V DC/DC converter

PVX003A0X3-SRZ: trim: 4.44kOhm

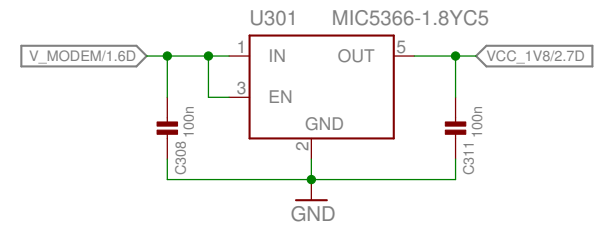
PVX003A0X3-SRZ: tunableLoop: R=180R; C=8200p  
(max. dVout: 50mV; max. dlout: 2,5A)



# modem load switch



# LDO 1V8



ngff-cardem (C) 2021 sysmocom GmbH		ngff-cardem v1
proprietary + confidential		6/16/21 5:03 PM
		Sheet: 3/3