

General Description

The PEB 2096, OCAT-P, performs the layer-1 functions of the ISDN basic access for eight U_{PN} interfaces at the LT side of the PBX.

Applications

PBXs
8 × U_{PN} interfaces

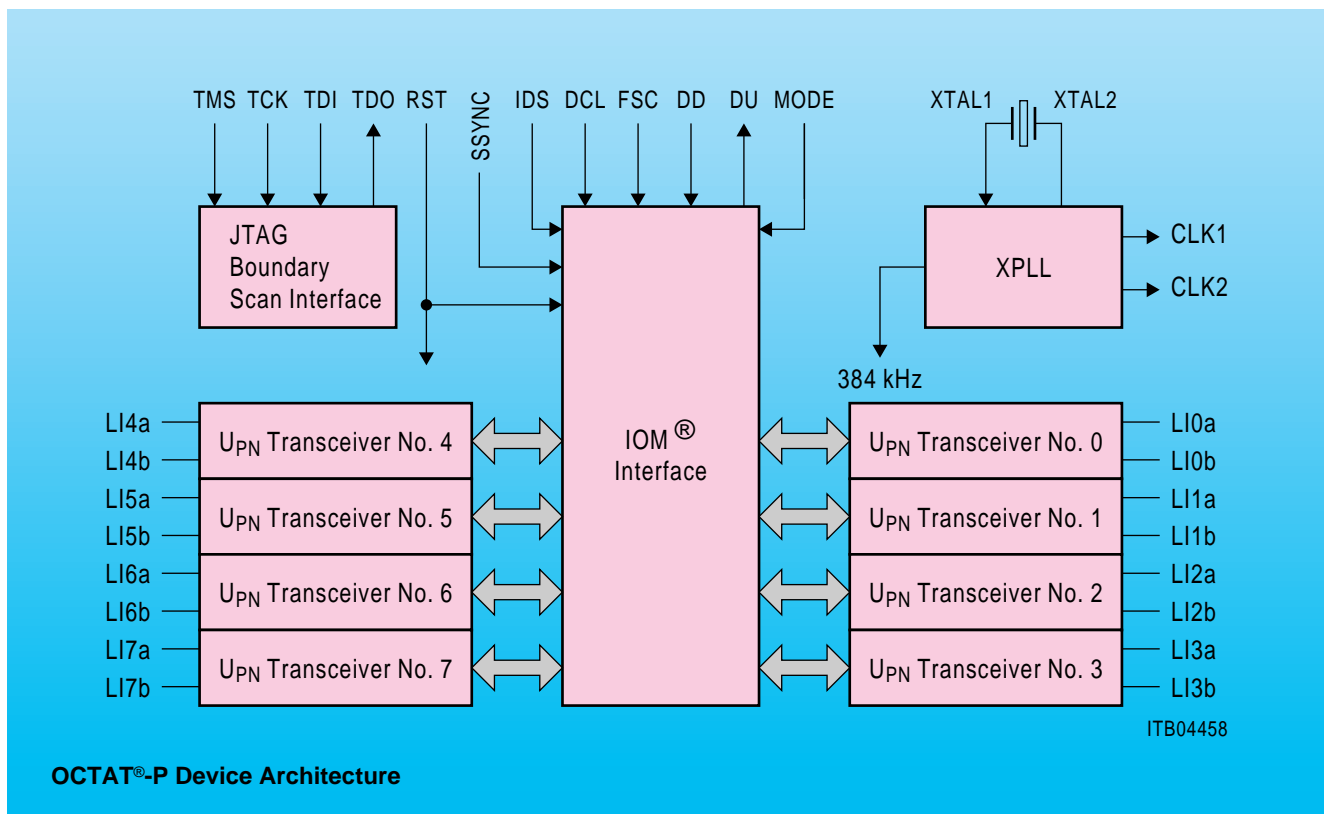
Interfaces

- IOM-2 interface
- 8 × U_{PN} interface
- Boundary scan (for on-board tests)

Type	Package
PEB 2096	P-MQFP-44-1 (SMD)

Features

- Eight full duplex 2B+D U_{PN}-interface transceivers, each equipped with the following functions:
 - Conversion from/to binary to/from pseudo-ternary code
 - Receive timing recovery
 - Activation/deactivation procedures, triggered by primitives received over the IOM interface or by INFO received from the line (e.g. detection of INFO1)
 - Execution of test loops
 - Analog line transceiver for up to 16-dB line attenuation
 - U_{PN}-interface functions compatible to PEB 2095, IBC, and PEB 20950, ISAC-P (except for looplength)
 - U_{PN} interface fully compatible to PSB 2196, ISAC-P TE, and PSB 2197, SmartLink-P
- IOM-2 interface
- Support for JTAG-boundary scan test
- 1-μ CMOS technology with low power consumption
- P-MQFP-44 package



OCTAT[®]-P Device Architecture