

June 2, 2008

Purpose of Change

Dear Sir/Madam:

Re: Application for a Permissive Change Filing with FCC ID: EW780-6270-00 and FCC Registration No.: US:EW7W401B80-627000

The purpose of this document is to describe all the changes that are made to the VTECH designed family models **VTECH CS6119, CS6119-x and Presidian PS6119, PS6119-x & 43-271** from the previous models **VTECH DS6121**, in order to meet the new enclosure and features.

Changes from the existing DS6121 to the new models CS6119, CS6119-x, PS6119, PS6119-x & 43-271:

- The outlook of base & handset is not same as previous models
- New models employ new RF chipset with bit different from previous RF chipset used on original model (please refer to attached Explanation of the RFIC for further details)
- Main & Keyboard PCB of HS have changed
- Battery charging circuit of HS has changed
- Answer Machine is removed
- Antenna of Base unit changed from Inverted-F to Rod-type

Similarities between existing DS6121 to the new models CS6119, CS6119-x, PS6119, PS6119-x & 43-271:

- Same frequency band & channels
- Same antennas used for Base and Handset
- The power supply scheme and the DC current consumption are very similar
- Same line interface circuit

Sincerely,



Samson Man
Approbation Supervisor

June 2, 2008

Purpose of Change

Dear Sir/Madam:

Re: Application for a Permissive Change Filing with FCC ID: EW780-6270-00 and FCC Registration No.: US:EW7W401B80-627000

The purpose of this document is to describe all the changes that are made to the VTECH designed family model **VTECH CS6129, CS6129-x & CS6129-xy** from the previous models **VTECH DS6121**, in order to meet the new enclosure and features.

Changes from the existing DS6121 to the new model CS6129, CS6129-x & CS6129-xy :

- The outlook of base & handset is not same as previous models
- New model employ new RF chipset with bit different from previous RF chipset used on original model (please refer to attached Explanation of the RFIC for further details)
- Main & Keyboard PCB of HS have changed
- Battery charging circuit of HS has changed
- Antenna of Base unit changed from Inverted-F to Rod-type

Similarities between existing DS6121 to the new model CS6129, CS6129-x & CS6129-xy :

- Same frequency band & channels
- Same antennas used for Base and Handset
- The power supply scheme and the DC current consumption are very similar
- Same line interface circuit

Sincerely,



Samson Man
Approbation Supervisor

Explanation of the RFIC used for FCC Part 15 permissive change

Table of Contents

- 1. AIM..... 1
- 2. INTRODUCTION 1
 - 2.1 PNX800x 1
 - 2.2 PNX801x 2
- 3. DETAILS INFORMATION IN PERMISSIVE CHANGE 3
- 4. CONCLUSIONS 4

1. Aim

This document is aimed at explaining the differences between the RFIC PNX800x and its low cost successor PNX801x in order to apply a permissive change using PNX801x with the same FCC ID as PNX800x.

2. Introduction

2.1 PNX800x

The PNX800x family is a newly developed RFIC by DSPG. It is built with baseband controller for DECT 6.0 cordless phone application. Each PNX800x IC has two dice built-in: RFAPU and DPU. The RFAPU consists of the RF transceiver, crystal oscillator and the voltage regulators control circuits. The DPU consists of an ARM core processor, memory, burst mode processor (BMP) and the digital IO.

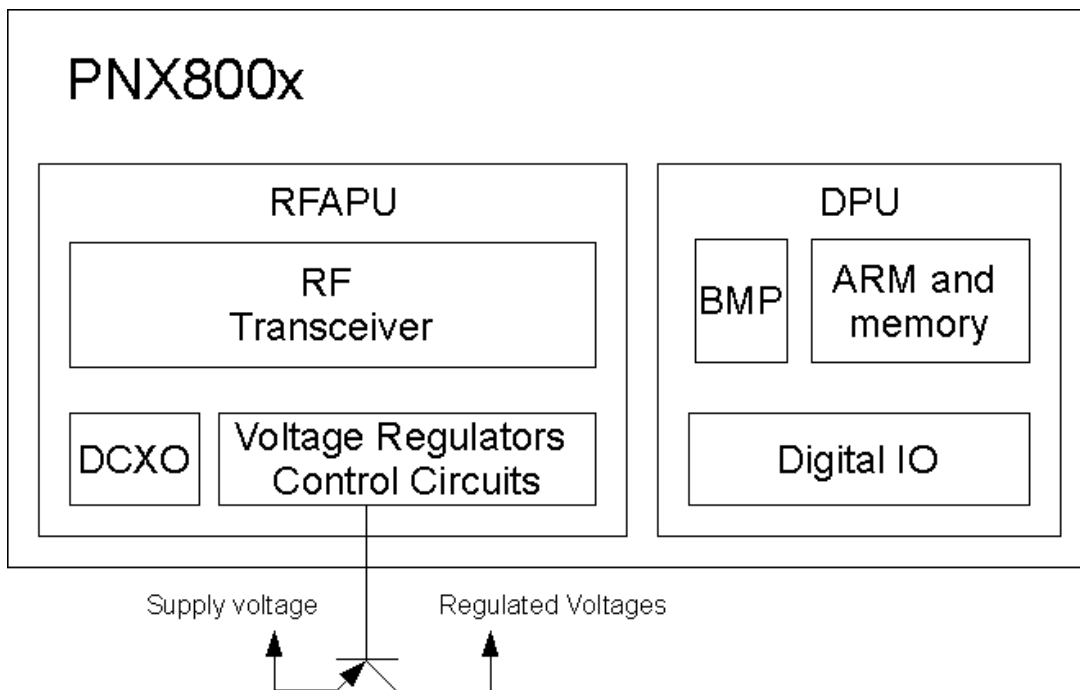


Figure 2.1.1 Block Diagram of PNX800x

The voltage regulators control circuits in RFAPU is used to drive the external general-purpose transistor to regulate out the desired voltages from the supply voltage.

The last digit x in PNX800x represents the different internal memory sizes.

Member	Flash size (byte)	ROM size (byte)	RAM size (byte)	Regulated Voltage for digital core circuits (V)
PNX8001		320k	28k	1.2
PNX8002		640k	68k	1.2
PNX8009	512k	128k	68k	1.8

Table 2.1.1 Memory size of PNX800x

2.2 PNX801x

The PNX801x family is the low cost successor of the PNX800x family. It shares the same architecture and the same package (HVQFN88). The only difference between PNX800x and PNX801x is the built-in voltage regulator transistors. The whole RF architecture and other blocks are remained unchanged.

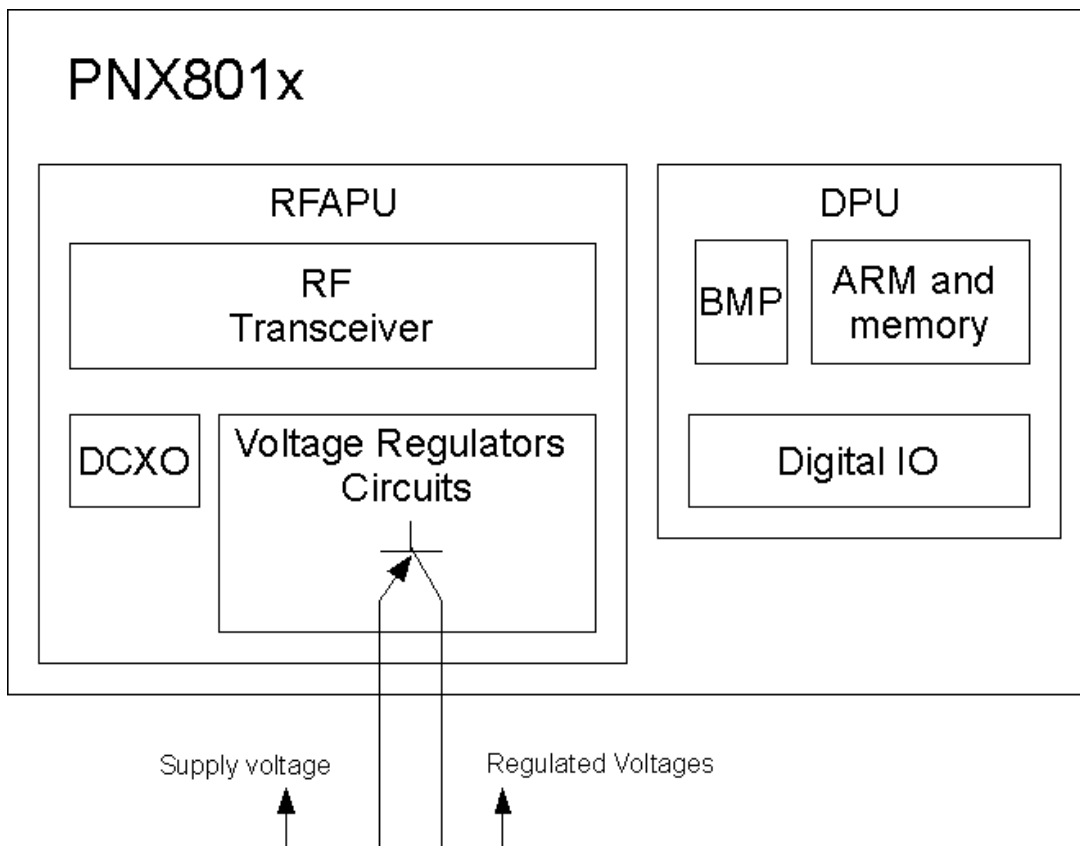


Figure 2.2.1 Block Diagram of PNX801x

The last digit x in PNX801x represents the different internal memory sizes.

Member	Flash size (byte)	ROM size (byte)	RAM size (byte)	Regulated Voltage for digital core circuits (V)
PNX8010		256k	24k	1.2
PNX8011		320k	28k	1.2
PNX8019	512k	128k	68k	1.8

Figure 2.2.2 Memory size of PNX801x

3. Details information in permissive change

PNX800x is currently used in VTech model DS6111, LS6115, LS6117 and SL82218. All models granted the FCC Part 15 approval. PNX801x will be used on the same models as a cost reduction version without the following changes.

a. RF Frequency Plan

- No change in both Tx and Rx frequencies.

b. Frequency Multiplication Stages

- No change in frequency multiplication stages

c. Modulator Circuit

- No change in modulator circuit

d. Crystal Frequency

- No change in crystal frequency

e. Data Rate

- No change in data rate

f. Maximum Power

- No change in maximum power

g. Antenna changes

- No change in antenna in both fixed part and portable part

h. PCB and hardware changes

- No active hardware component is added
- No change in RF transceiver block
- No change in radio parameters has occurred
- No change in PCB size

i. Enclosure changes

- No enclosure is changed

j. Software changes

- No additional frequency is added
- No data rate is added

4. Conclusions

1. PNX800x and PNX801x are sharing the same architecture as both baseband and RF blocks are highly integrated into a single chip.
2. Both ICs have the same RF transceiver block. The pins at transmitter part are pin to pin compatible and no change in radio parameters has occurred.
3. Both IC shares the same frequency plan, same frequency multiplication stages, same crystal frequency and same maximum power.
4. Both IC shares the same digital blocks including the MCU, stabilizing circuitry and modulator circuits.
5. Both IC shares the same package and hence the same PCB size.
6. PNX801x has the cost advantage by building-in the voltage regulator transistors. It will not bring any degradation in RF and electrical performance.
7. From the above statements, we claim that models with PNX801x can use the same FCC ID as PNX800x to apply the permissive change in FCC approval.